

ENGINEERED FACTORY SUPPORTS (EFS) PRODUCT CATALOG

We make it easy!

TOOL-FREE
Installation Solutions

*Strengthen Code Compliance and
Your Bottom Line with ISAT's Innovative
Engineered Factory Supports*



877-999-ISAT (4728) | ISATTS.COM

Serving the Construction Industry Since 1977

Engineered Factory Supports (EFS)

Every Support Engineered and Built to Address Vertical and Seismic Load Requirements

The American Society of Civil Engineers (ASCE) 7 and International Building Code (IBC) outline crucial seismic bracing requirements for mechanical, electrical, and plumbing systems, ensuring the safety and resilience of buildings during seismic events.

Code requires that every element of the supports load path is analyzed and engineered to resist the expected load conditions. This includes the construction of the single hung or trapeze support resisting the gravity (dead) loads, the seismic brace assemblies and rod stiffeners necessary to resist seismic loads, as well as the anchorage for attachment to structure.

As experts in the design and supply of Engineered Factory Supports (EFS), ISAT Total Support designs each support in compliance with project and code requirements. We leverage cutting-edge technology and industry expertise to deliver MEP support solutions that are efficient, cost-effective, and tailored to our clients specific needs.

ENGINEERING

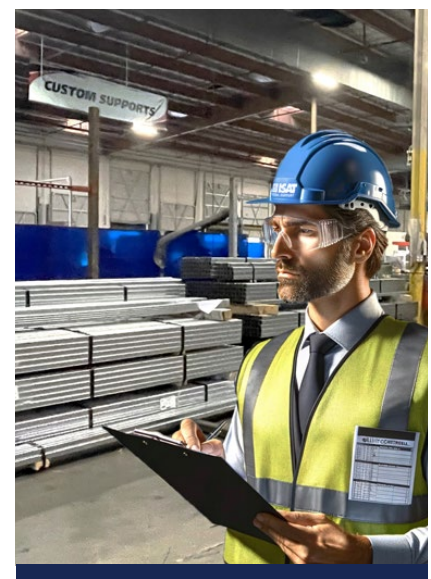
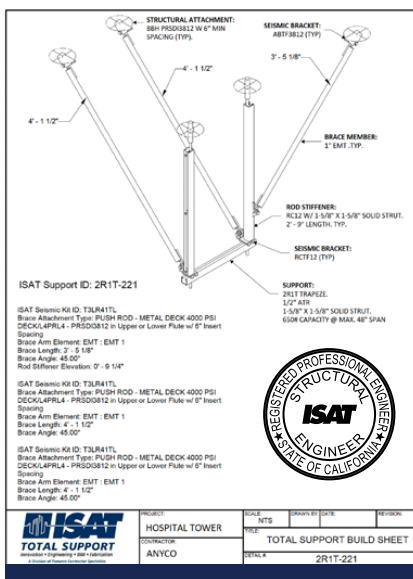
Each support designed for project and code requirements. PE stamped details that include loads to structure, attachment details, hanger configurations, and all required hardware.

MANUFACTURING

Supports are constructed in a tightly controlled production environment using the highest quality materials in accordance with the industry's most stringent construction standards.

CERTIFICATION

Only after rigorous testing to meet the engineered design requirements does it become an ISAT Certified EFS. Installing EFS supports can ensure complete code and project compliance.



Step-by-Step Process

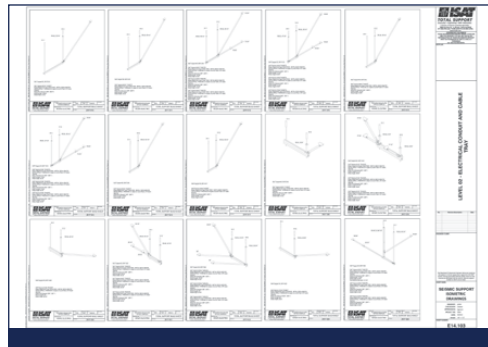
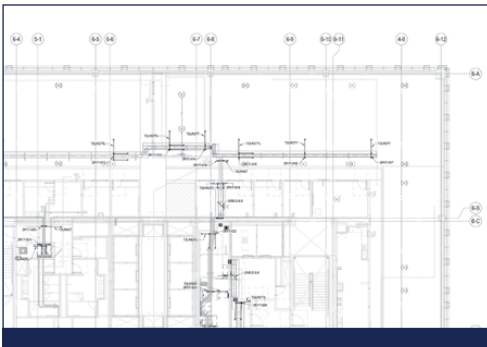
1) Collaboration:

ISAT’s team of construction professionals engage stakeholders, including generals, subcontractors, engineers, and owners, early in the design phase to optimize the design for manufacturing, transportation and installation.



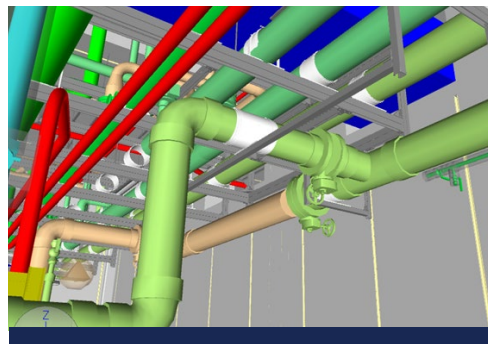
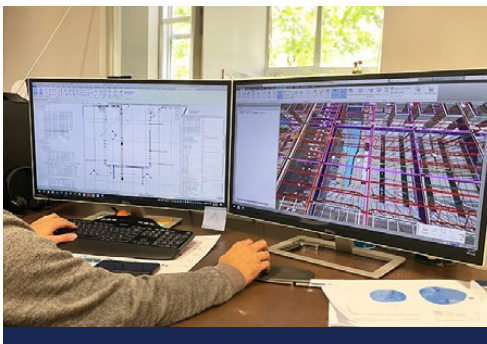
2) Engineering:

ISAT delivers an engineered support design including PE stamped submittal documents, calculations that include loads to structure, attachment details, hanger configurations, and all required hardware.



3) Digital Design (VDC)

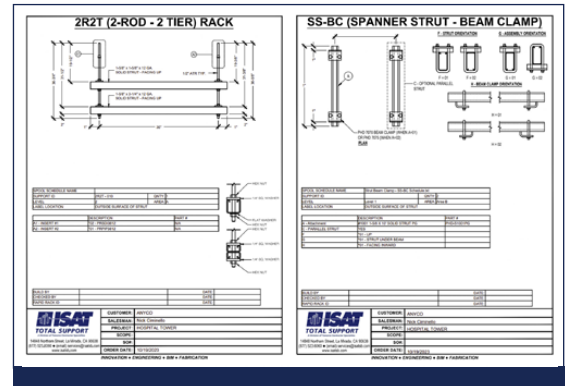
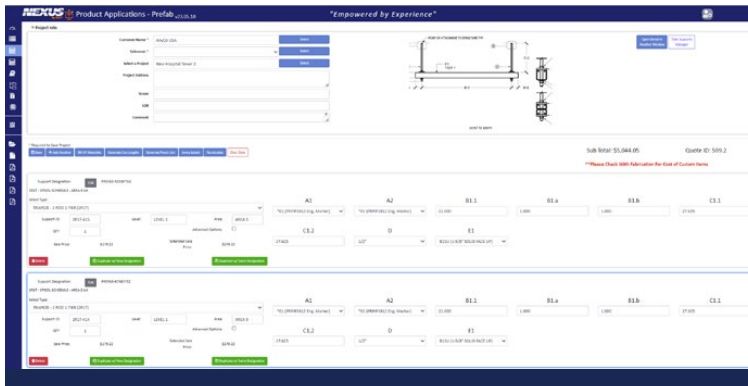
Utilizing Building Information Modeling (BIM) and other digital design tools, ISAT’s team of VDC professionals implement and coordinate the engineered design into the model. Information from the model is translated to facilitate the takeoff and manufacturing processes.



Step-by-Step Process

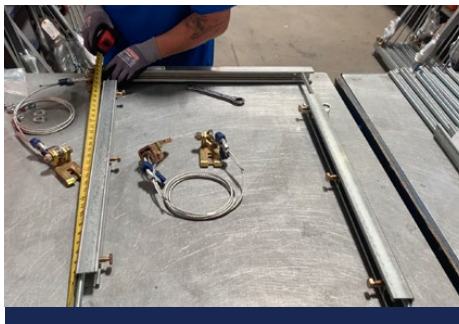
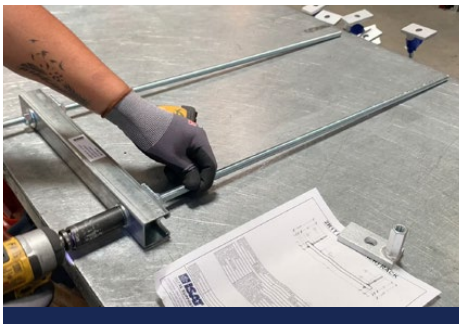
4) Ordering Process:

ISAT's proprietary EFS fabrication software analyzes the support specifications from the model to generate the bill of material and fabrication level drawings needed to complete the order.



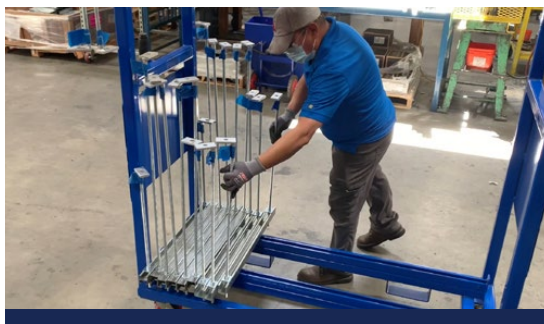
5) Assembly and Labeling:

Supports are constructed in a controlled production environment to the industry's highest construction standards. Easy to read and durable labels are applied to each support corresponding to the approved installation and layout drawings.



6) Quality Assurance and Packaging

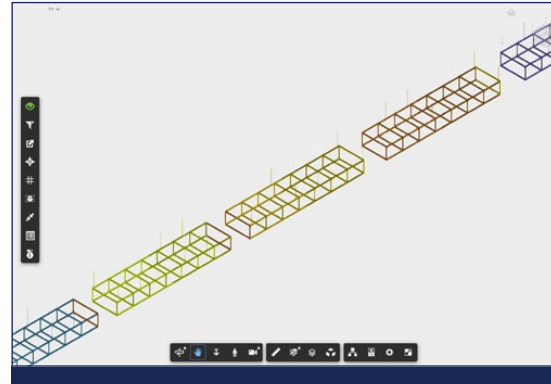
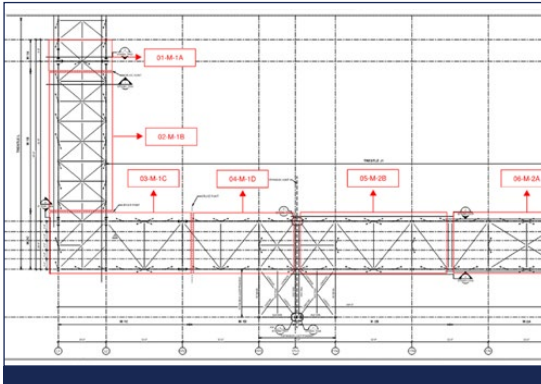
Each rack is checked to ensure all supports are manufactured to exact specifications. Supports are then loaded on the Rapid Rack carts to match the installation sequence (last rack on, first rack off). Precautions are taken to ensure that the material arrives to the jobsite undamaged and ready to install.



Step-by-Step Process

7) Logistics and Planning:

ISAT will work with the client team to manage release schedules ensuring supports arrive to the jobsite in time to meet the installation sequence.



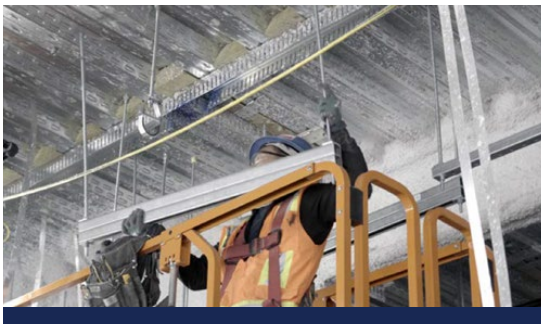
8) On-Site Material Handling:

ISAT's Rapid Rack System streamlines the on-site material handling process and greatly reduces the cost and time associated with the supports onto the jobsite and into the right location.



9) EFS Installation

When used in combination with ISAT's Blue Banger Hanger Push Rod insert, installation is further streamlined by providing fast, safe, and toolless connection to the structure. Blue Banger Hanger inserts are code approved (ESR-3599) for a wide variety of materials and construction methods, offering a versatile solution that can be seamlessly integrated into virtually any project.



■ Trapeze Supports

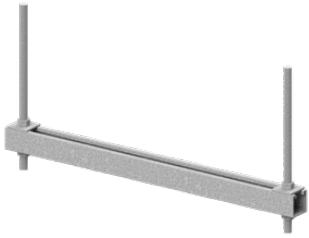


Fig. 2R1T
2 Rod - 1 Tier Rack
(Pg. 12)



Fig. 2R2T
2 Rod - 2 Tier Rack
(Pg. 13)



Fig. 2R3T
2 Rod - 3 Tier Rack
(Pg. 13)



Fig. 2R4T
2 Rod - 4 Tier Rack
(Pg. 15)

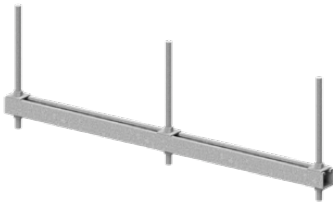


Fig. 3R1T
3 Rod - 1 Tier Rack
(Pg. 16)

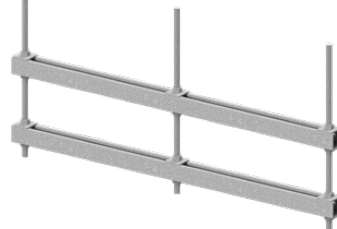


Fig. 3R2T
3 Rod - 2 Tier Rack
(Pg. 17)



Fig. 3R3T
3 Rod - 3 Tier Rack
(Pg. 18)



Fig. 3R4T
3 Rod - 4 Tier Rack
(Pg. 19)

■ Single Hung Supports

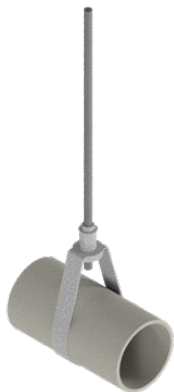


Fig. SH-BH
Band Hanger
(Pg. 20)

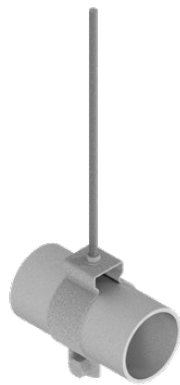


Fig. SH-CONH
Conduit Hanger
(Pg. 21)

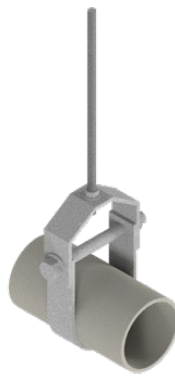


Fig. SH-CLH
Clevis Hanger
(Pg. 22)



Fig. SH-RH
Roller Hanger
(Pg. 23)



Fig. SH-JH
J-Hanger
(Pg. 24)

Multi-Trade Modules

Fig. MDF-QS-5B
5-Bay Module
(Pg. 26)

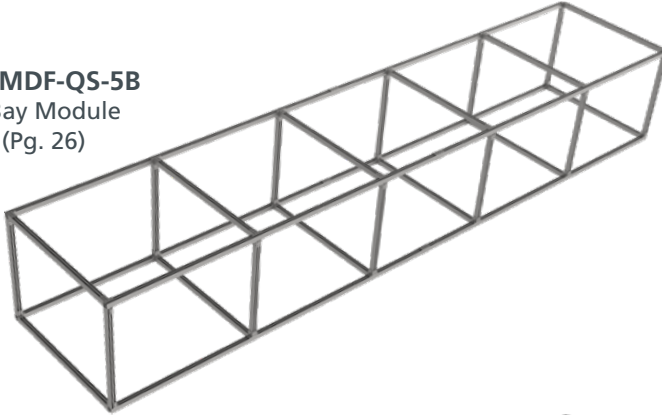


Fig. MDF-QS-4B
4-Bay Module
(Pg. 27)

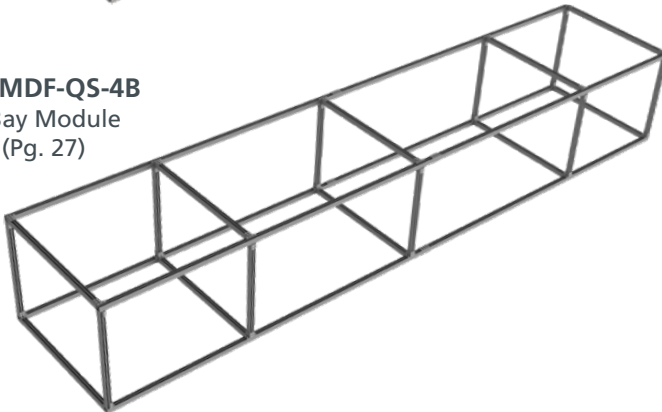


Fig. MDF-QS-3B
3-Bay Module
(Pg. 28)

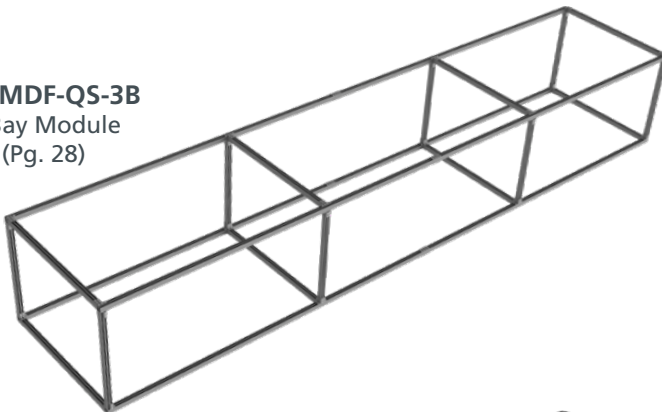
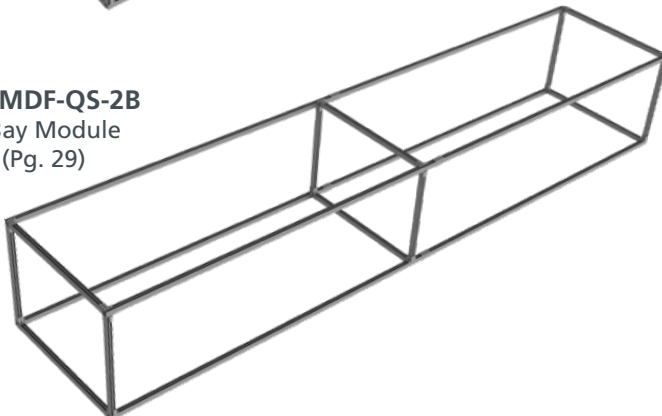


Fig. MDF-QS-2B
2-Bay Module
(Pg. 29)



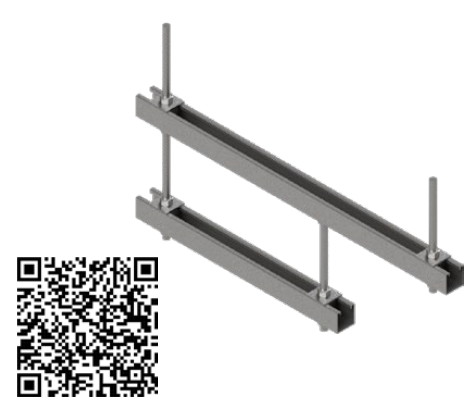
Strut Supports



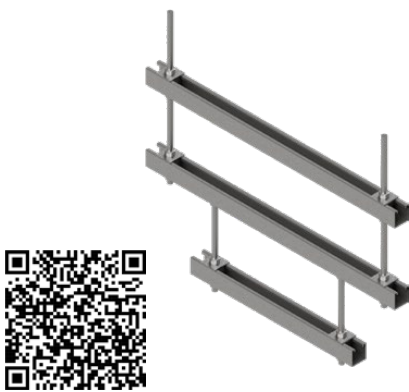
SS-1R1T-C
Strut Support
Trapeze Rack 1 Rod - 1 Tier - C



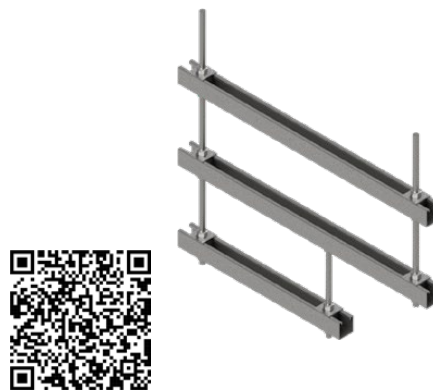
SS-2R2T-1DO
Strut Support Double Offset
Trapeze Rack 2 Rod - 2 Tier - 1 Offset



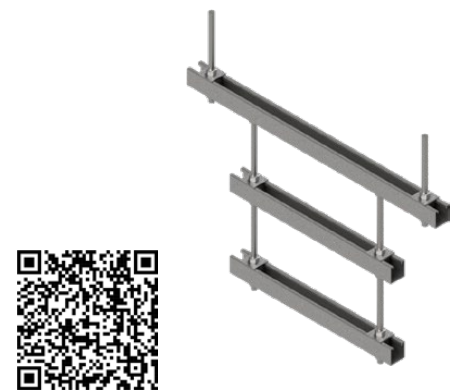
SS-2R2T-1O
Strut Support Offset
Trapeze Rack 2 Rod - 2 Tier - 1 Offset



SS-2R3T-1DO
Strut Support Double Offset
Trapeze Rack 2 Rod - 3 Tier - 1 Offset



SS-2R3T-1O
Strut Support Offset
Trapeze Rack 2 Rod - 3 Tier - 1 Offset



SS-2R3T-2DO
Strut Support Double Offset
Trapeze Rack 2 Rod - 3 Tier - 2 Offset



SS-2R3T-2O
Strut Support Offset
Trapeze Rack 2 Rod - 3 Tier - 2 Offset



SS-2R4T-1DO
Strut Support Double Offset
Trapeze Rack 2 Rod - 4 Tier - 1 Offset

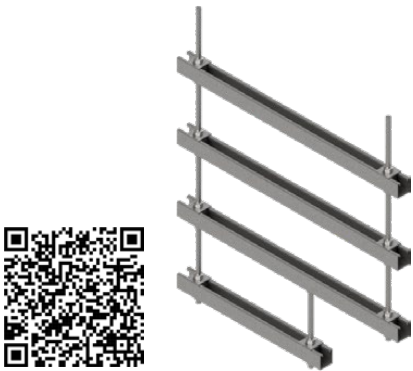


Scan for Ordering Information



- Revit Families Available (Contact Your ISAT Rep)
- Families are LOD 400 & Fully Parametric
- Extract Support Information Directly from Revit to Simplify the Ordering Process

Strut Supports Continued



SS-2R4T-10
Strut Support Offset
Trapeze Rack 2 Rod - 4 Tier - 1 Offset



SS-2R4T-2DO
Strut Support Double Offset
Trapeze Rack 2 Rod - 4 Tier - 2 Offset



Scan for Ordering Information



Revit Families Available

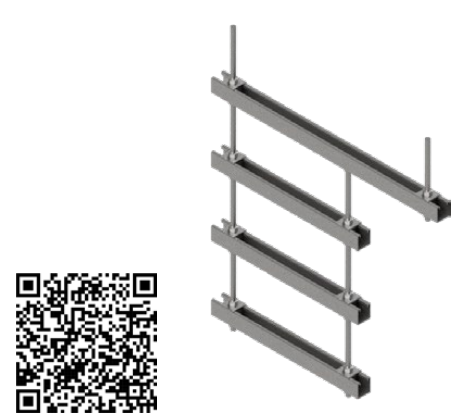
- Revit Families Available (Contact Your ISAT Rep)
- Families are LOD 400 & Fully Parametric
- Extract Support Information Directly from Revit to Simplify the Ordering Process



SS-2R4T-20
Strut Support Offset
Trapeze Rack 2 Rod - 4 Tier - 2 Offset



SS-2R4T-3DO
Strut Support Double Offset
Trapeze Rack 2 Rod - 4 Tier - 3 Offset



SS-2R4T-30
Strut Support Offset
Trapeze Rack 2 Rod - 4 Tier -3 Offset

Strut Support Frames



SS-SF-1T
Strut Support Strut
Frame 2 Post - 1 Tier



SS-SF-2T
Strut Support Strut
Frame 2 Post - 2 Tier



SS-SF-3T
Strut Support Strut
Frame 2-Post-3-Tier



SS-SF-4T
Strut Support Strut
Frame 2-Post-4-Tier



Innovation



Engineering



BIM



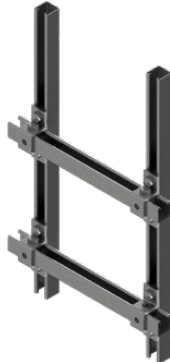
Fabrication

Product Index

Strut Support Frames Continued



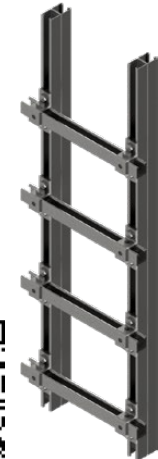
SS-SMSF-1T
Strut Support Surface
Mounted Strut Frame
2 Post - 1 Tier



SS-SMSF-2T
Strut Support Surface
Mounted Strut Frame
2 Post - 2 Tier



SS-SMSF-3T
Strut Support Surface
Mounted Strut Frame
2 Post - 3 Tier

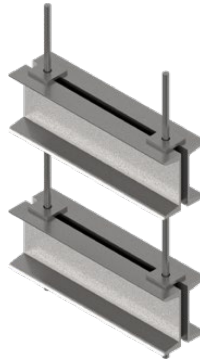


SS-SMSF-4T
Strut Support Surface
Mounted Strut Frame
2 Post - 4 Tier

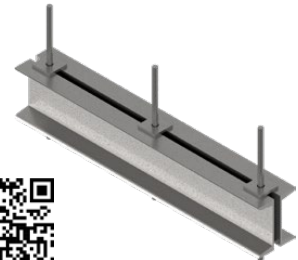
Industrial Supports - C-Channel



IS-CCH-2R1T
Industrial Support C-Channel
Trapeze Rack 2 Rod - 1 Tier



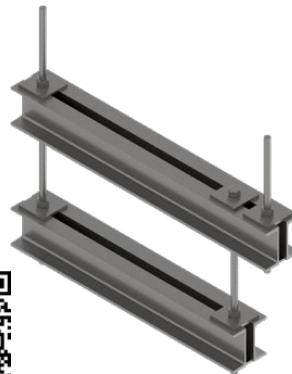
IS-CCH-2R2T
Industrial Support C-Channel
Trapeze Rack 2 Rod - 2 Tier



IS-CCH-3R1T
Industrial Support C-Channel
Trapeze Rack 3 Rod - 1 Tier



IS-CCH-3R2T
Industrial Support C-Channel
Trapeze Rack 3 Rod - 2 Tier



IS-CCH-2R2T-1O
Industrial Support Offset Trapeze
Rack 2 Rod - 2 Tier - 1 Offset

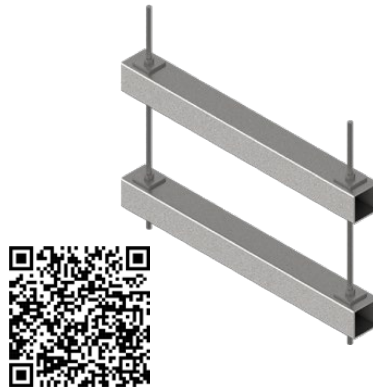


IS-CCH-2R2T-1DO
Industrial Support Double Offset
Trapeze Rack 2 Rod - 2 Tier - 1 Offset

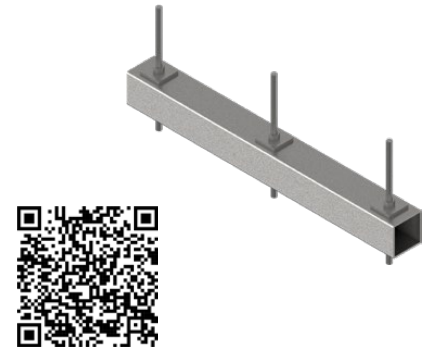
■ Industrial Supports - Hollow Structural Section



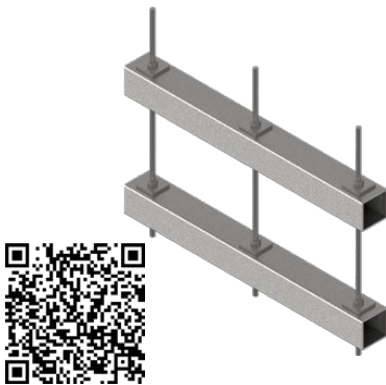
IS-HSS-2R1T
Industrial Support-HSS
Trapeze Rack 2 Rod - 1 Tier



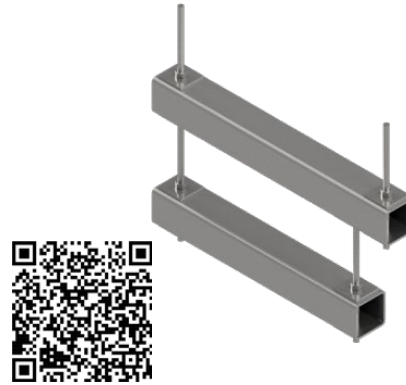
IS-HSS-2R2T
Industrial Support-HSS
Trapeze Rack 2 Rod - 2 Tier



IS-HSS-3R1T
Industrial Support-HSS
Trapeze Rack 3 Rod - 1 Tier



IS-HSS-3R2T
Industrial Support-HSS
Trapeze Rack 3 Rod - 2 Tier



IS-HSS-2R2T-1O
Industrial Support-HSS Offset
Trapeze Rack 2 Rod - 2 Tier - 1 Offset



IS-HSS-2R2T-1DO
Industrial Support-HSS Double Offset
Trapeze Rack 2 Rod - 2 Tier - 1 Offset



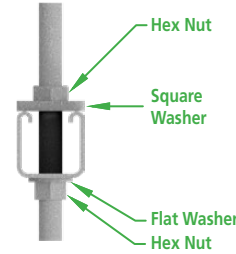
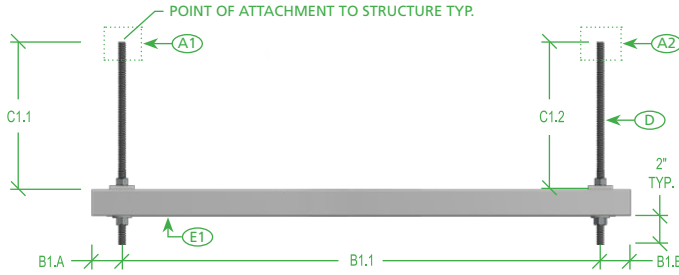
Scan for Ordering
Information



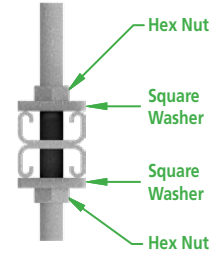
Revit Families
Available

- Revit Families Available (Contact Your ISAT Rep)
- Families are LOD 400 & Fully Parametric
- Extract Support Information Directly from Revit to Simplify the Ordering Process

■ Fig. 2R1T (2 Rod - 1 Tier)



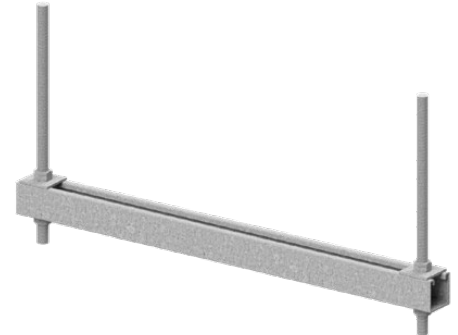
SINGLE SIDED STRUT ASSEMBLY



DOUBLE SIDED (B2B) STRUT ASSEMBLY

PART #: A1-A2-B1.1-B1.A-B1.B-C1.1-C1.2-D-E1

A	B	C	D		E ¹ (Strut Options)		
					ORIENTATION	PERFORATIONS	
*00	None	Width (Inches)	Drop Length (Inches)	*01	3/8" ATR	"U" = UP	"S" = SOLID
*01	PRPIP3812 ^{3,4}			*02	1/2" ATR	"D" = DOWN	"P" = PUNCHED
*02.2	PRSDI3812-2 ^{3,4}			*03	5/8" ATR		"SL" = SLOTTED
*03.2	SDI143812-2 ³			*25	OTHER		
*04.2	SDI381258-2 ³						
*05.2	SDI5834-2 ³	E - Strut Profile Options					
*06	PIP143812 ²						
*07	PIP381258 ²	A1 13/16" x 1-5/8" 14g STRUT	A2 B2B 13/16" x 1-5/8" 14g STRUT				
*08	PIP5834 ²						
*09	RD143812						
*10	ROD COUPLER						
*11	VSB3812-1438 ³						
*12	VSB3812-1258 ³	B1 1 5/8" x 1-5/8" 14g STRUT	B2 B2B 1 5/8" x 1-5/8" 12g STRUT	C1 3-1/4" x 1-5/8" 12g STRUT	C2 B2B 3-1/4" x 1-5/8" 12g STRUT		
*13	VSB5834-1438 ³						
*14	VSB5834-1258 ³						
*15	BC-1						



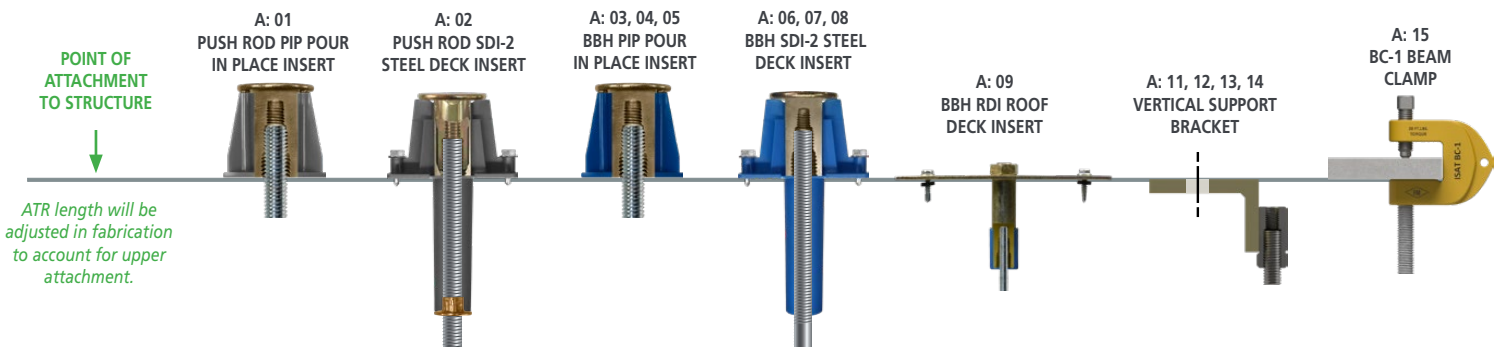
FOOTNOTES:

1. Trapezes ordered with 3/8" and 1/2" ATR are built with 9/16" holes. Trapezes with 5/8" ATR are drilled out to accept rod.
2. Strut options (E) nomenclature example: B1U5L = B1 profile, strut orientation is up, strut perforations are slotted.
3. ATR length will be adjusted in fabrication to account for upper attachment.
4. ISAT Push Rod engagement mark will be added to the ATR when the PRPIP3812 or PRSDI3812-2 is selected.
5. Standard Finish: Pre-galvanized strut; electrogalvanized ATR and hardware standard. Special finishes available upon request.
6. Strut Product Manufacturer: PHD Manufacturing, Inc. Substitutions available upon request.



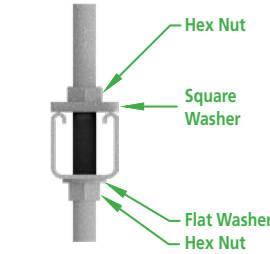
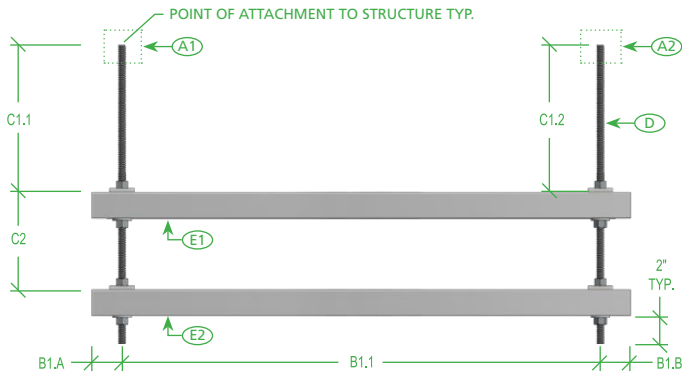
Revit Families Available

- Revit Families Available (Contact Your ISAT Rep)
- Families are LOD 400 & Fully Parametric
- Extract Support Information Directly from Revit to Simplify the Ordering Process

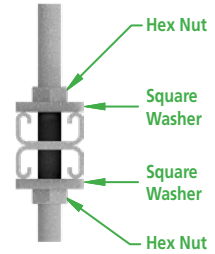


ATR length will be adjusted in fabrication to account for upper attachment.

■ Fig. 2R2T (2 Rod - 2 Tier)



SINGLE SIDED STRUT ASSEMBLY



DOUBLE SIDED (B2B) STRUT ASSEMBLY

PART #: A1-A2-B1.1-B1.A-B1.B-C1.1-C1.2-C2-D-E1-E2

A	B	C	D	E ¹ (Strut Options)			
				ORIENTATION	PERFORATIONS		
*00	None	Width (Inches)	Drop Length (Inches)	*01	3/8" ATR	"U" = UP	"S" = SOLID
*01	PRPIP3812 ^{3,4}			*02	1/2" ATR	"D" = DOWN	"P" = PUNCHED
*02.2	PRSDI3812-2 ^{3,4}			*03	5/8" ATR		"SL" = SLOTTED
*03.2	SDI143812-2 ³			*25	OTHER		
*04.2	SDI381258-2 ³						
*05.2	SDI5834-2 ³	E - Strut Profile Options					
*06	PIP143812 ³						
*07	PIP381258 ³	A1 13/16" x 1-5/8" 14g STRUT	A2 B2B 13/16" x 1-5/8" 14g STRUT				
*08	PIP5834 ³						
*09	RD143812						
*10	ROD COUPLER						
*11	VS3812-1438 ³			C1 3-1/4" x 1-5/8" 12g STRUT	C2 B2B 3-1/4" x 1-5/8" 12g STRUT		
*12	VS3812-1258 ³	B1 1 5/8" x 1-5/8" 14g STRUT	B2 B2B 1 5/8" x 1-5/8" 12g STRUT				
*13	VS5834-1438 ³						
*14	VS5834-1258 ³						
*15	BC-1						



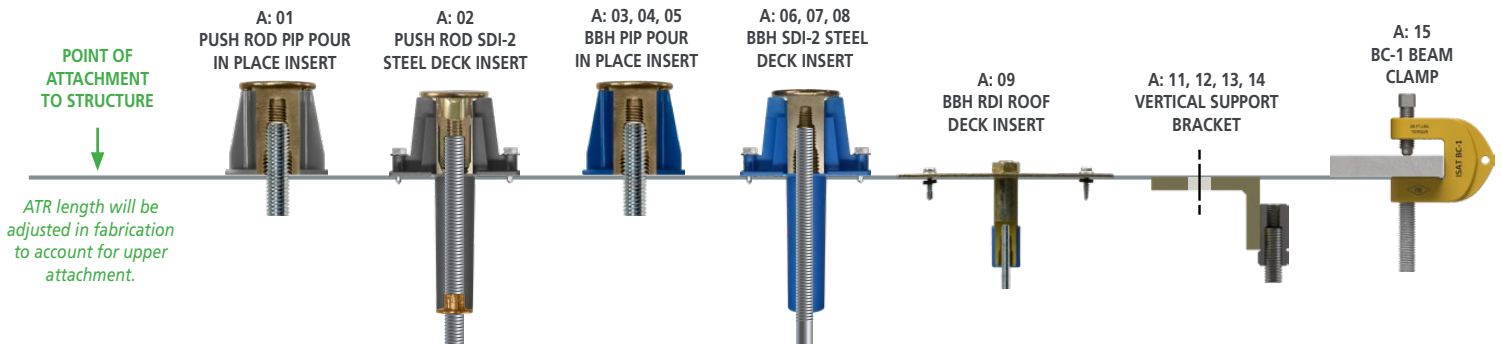
FOOTNOTES:

1. Trapezes ordered with 3/8" and 1/2" ATR are built with 9/16" holes. Trapezes with 5/8" ATR are drilled out to accept rod.
2. Strut options (E) nomenclature example: B1USL = B1 profile, strut orientation is up, strut perforations are slotted.
3. ATR length will be adjusted in fabrication to account for upper attachment.
4. ISAT Push Rod engagement mark will be added to the ATR when the PRPIP3812 or PRSDI3812-2 is selected.
5. Standard Finish: Pre-galvanized strut; electrogalvanized ATR and hardware standard. Special finishes available upon request.
6. Strut Product Manufacturer: PHD Manufacturing, Inc. Substitutions available upon request.



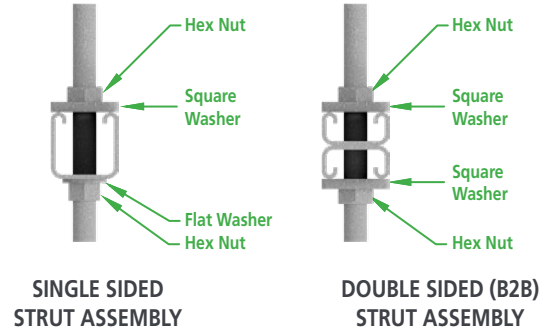
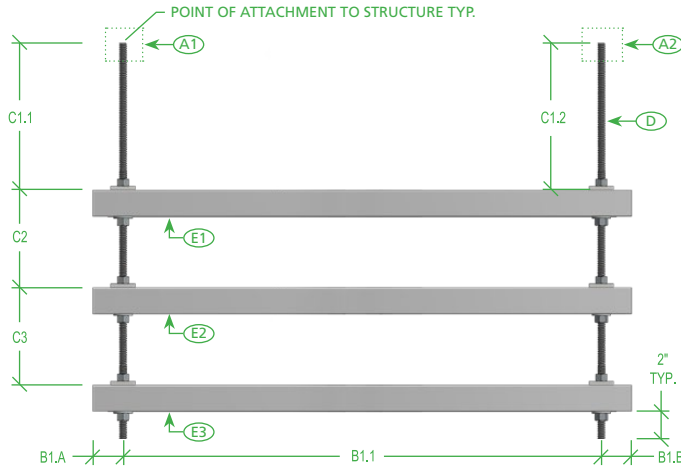
Revit Families Available

- Revit Families Available (Contact Your ISAT Rep)
- Families are LOD 400 & Fully Parametric
- Extract Support Information Directly from Revit to Simplify the Ordering Process



ATR length will be adjusted in fabrication to account for upper attachment.

■ Fig. 2R3T (2 Rod - 3 Tier)



PART #: A1-A2-B1.1-B1.A-B1.B-C1.1-C1.2-C2-C3-D-E1-E2-E3

A	B	C	D	E ¹ (Strut Options)			
				ORIENTATION	PERFORATIONS		
*00	None	Width (Inches)	Drop Length (Inches)	*01	3/8" ATR	"U" = UP	"S" = SOLID
*01	PRPIP3812 ^{3,4}			*02	1/2" ATR	"D" = DOWN	"P" = PUNCHED
*02.2	PRSDI3812-2 ^{3,4}			*03	5/8" ATR		"SL" = SLOTTED
*03.2	SDI143812-2 ³			*25	OTHER		
*04.2	SDI381258-2 ³						
*05.2	SDI5834-2 ³	E - Strut Profile Options					
*06	PIP143812 ³						
*07	PIP381258 ³	A1 13/16" x 1-5/8" 14g STRUT	A2 B2B 13/16" x 1-5/8" 14g STRUT				
*08	PIP5834 ³						
*09	RDI143812						
*10	ROD COUPLER	B1 1 5/8" x 1-5/8" 14g STRUT	B2 B2B 1 5/8" x 1-5/8" 12g STRUT	C1 3-1/4" x 1-5/8" 12g STRUT	C2 B2B 3-1/4" x 1-5/8" 12g STRUT		
*11	VSB3812-1438 ³						
*12	VSB3812-1258 ³						
*13	VSB5834-1438 ³						
*14	VSB5834-1258 ³						
*15	BC-1						



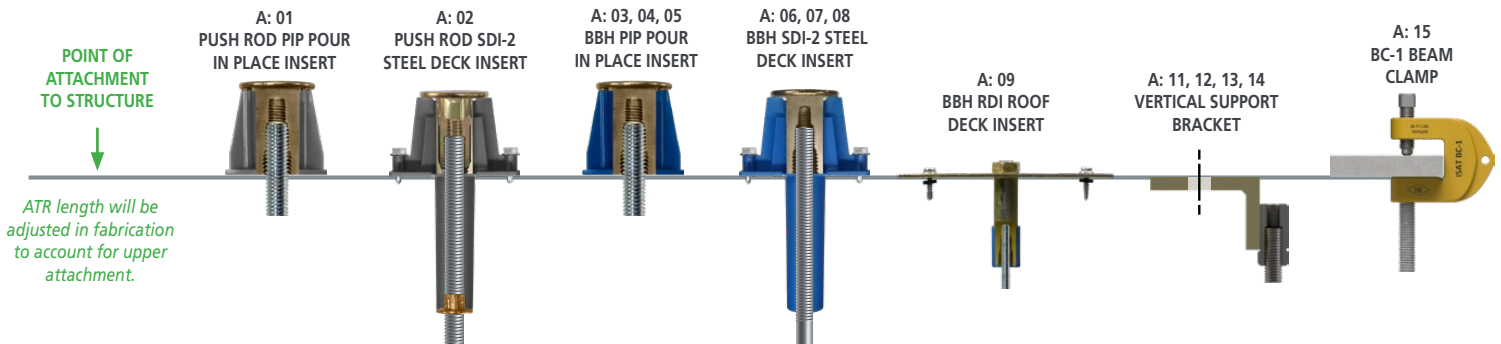
FOOTNOTES:

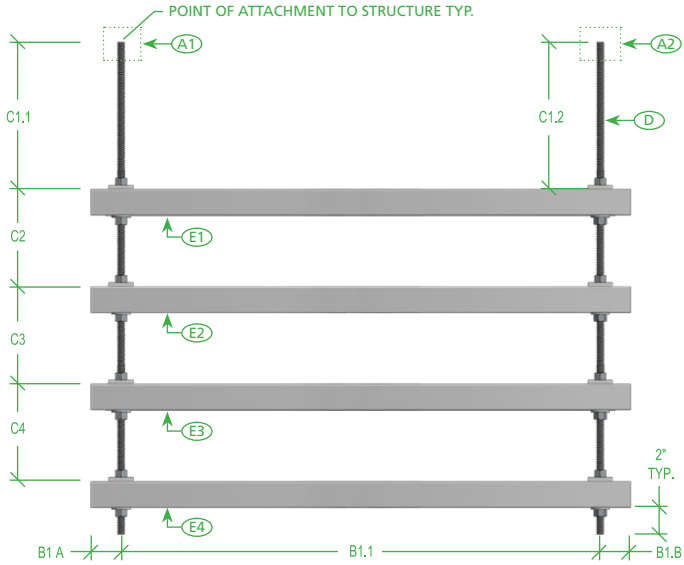
1. Trapezes ordered with 3/8" and 1/2" ATR are built with 9/16" holes. Trapezes with 5/8" ATR are drilled out to accept rod.
2. Strut options (E) nomenclature example: B1U¹SL = B1 profile, strut orientation is up, strut perforations are slotted.
3. ATR length will be adjusted in fabrication to account for upper attachment.
4. ISAT Push Rod engagement mark will be added to the ATR when the PRPIP3812 or PRSDI3812-2 is selected.
5. Standard Finish: Pre-galvanized strut; electrogalvanized ATR and hardware standard. Special finishes available upon request.
6. Strut Product Manufacturer: PHD Manufacturing, Inc. Substitutions available upon request.



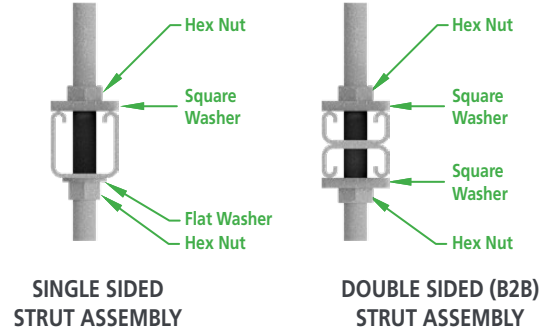
Revit Families Available

- Revit Families Available (Contact Your ISAT Rep)
- Families are LOD 400 & Fully Parametric
- Extract Support Information Directly from Revit to Simplify the Ordering Process





■ Fig. 2R4T (2 Rod - 4 Tier)



PART #: A1-A2-B1.1-B1.A-B1.B-C1.1-C1.2-C2-C3-C4-D-E1-E2-E3-E4

A	B	C	D	E ¹ (Strut Options)			
				ORIENTATION	PERFORATIONS		
*00	None	Width (Inches)	Drop Length (Inches)	*01	3/8" ATR	"U" = UP	"S" = SOLID
*01	PRPIP3812 ^{3,4}			*02	1/2" ATR	"D" = DOWN	"P" = PUNCHED
*02.2	PRSDI3812-2 ^{3,4}			*03	5/8" ATR		"SL" = SLOTTED
*03.2	SDI143812-2 ³			*25	OTHER		
*04.2	SDI381258-2 ³						
*05.2	SDI5834-2 ³	E - Strut Profile Options					
*06	PIP143812 ²						
*07	PIP381258 ²	A1 13/16" x 1-5/8" 14g STRUT	A2 B2B 13/16" x 1-5/8" 14g STRUT				
*08	PIP5834 ²						
*09	RD1143812						
*10	ROD COUPLER						
*11	VSB3812-1438 ³						
*12	VSB3812-1258 ³	B1 1 5/8" x 1-5/8" 14g STRUT	B2 B2B 1 5/8" x 1-5/8" 12g STRUT	C1 3-1/4" x 1-5/8" 12g STRUT	C2 B2B 3-1/4" x 1-5/8" 12g STRUT		
*13	VSB5834-1438 ³						
*14	VSB5834-1258 ³						
*15	BC-1						

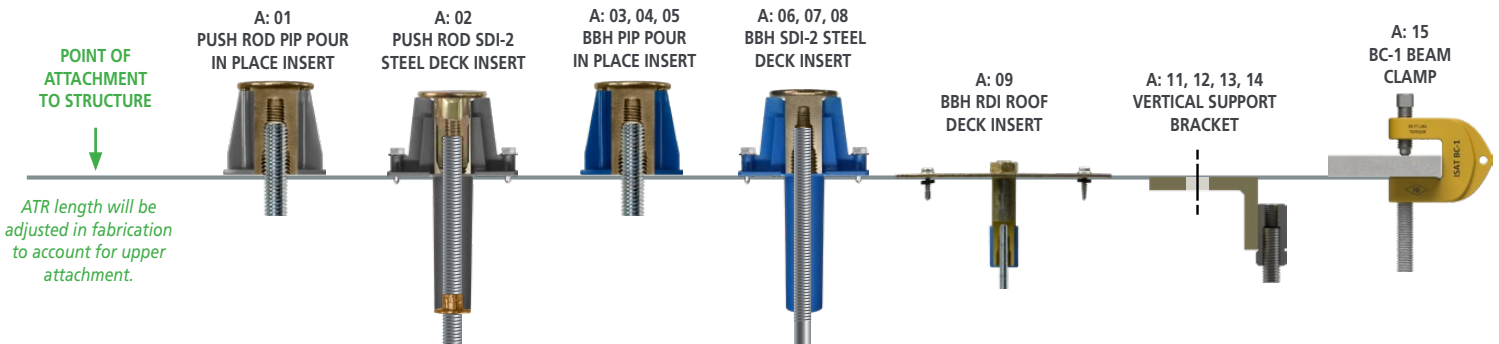


FOOTNOTES:

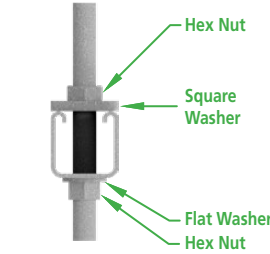
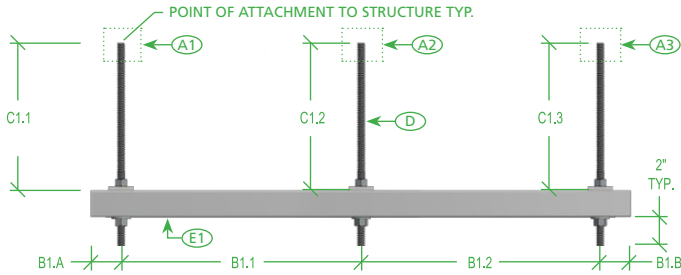
1. Trapezes ordered with 3/8" and 1/2" ATR are built with 9/16" holes. Trapezes with 5/8" ATR are drilled out to accept rod.
2. Strut options (E) nomenclature example: B1U5L = B1 profile, strut orientation is up, strut perforations are slotted.
3. ATR length will be adjusted in fabrication to account for upper attachment.
4. ISAT Push Rod engagement mark will be added to the ATR when the PRPIP3812 or PRSDI3812-2 is selected.
5. Standard Finish: Pre-galvanized strut; electrogalvanized ATR and hardware standard. Special finishes available upon request.
6. Strut Product Manufacturer: PHD Manufacturing, Inc. Substitutions available upon request.



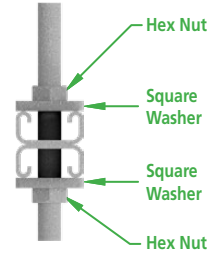
- Revit Families Available (Contact Your ISAT Rep)
- Families are LOD 400 & Fully Parametric
- Extract Support Information Directly from Revit to Simplify the Ordering Process



■ Fig. 3R1T (3 Rod - 1 Tier)



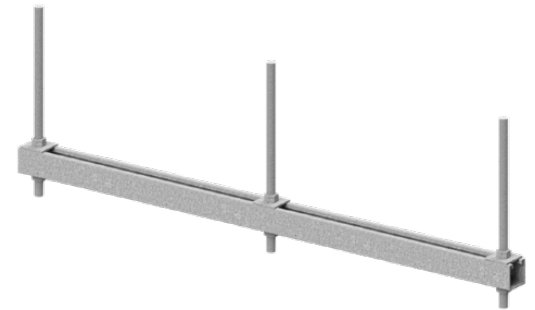
SINGLE SIDED STRUT ASSEMBLY



DOUBLE SIDED (B2B) STRUT ASSEMBLY

PART #: A1-A2-A3-B1.1-B1.2-B1.A-B1.B-C1.1-C1.2-C1.3-D-E1

A	B	C	D	E ¹ (Strut Options)			
				ORIENTATION	PERFORATIONS		
*00	None	Width (Inches)	Drop Length (Inches)	*01	3/8" ATR	"U" = UP	"S" = SOLID
*01	PRPIP3812 ^{3,4}			*02	1/2" ATR	"D" = DOWN	"P" = PUNCHED
*02.2	PRSDI3812-2 ^{3,4}			*03	5/8" ATR		"SL" = SLOTTED
*03.2	SDI143812-2 ³			*25	OTHER		
*04.2	SDI381258-2 ³						
*05.2	SDI5834-2 ³	E - Strut Profile Options					
*06	PIP143812 ³						
*07	PIP381258 ³						
*08	PIP5834 ³						
*09	RDI143812						
*10	ROD COUPLER						
*11	VSB3812-1438 ³						
*12	VSB3812-1258 ³						
*13	VSB5834-1438 ³						
*14	VSB5834-1258 ³						
*15	BC-1						

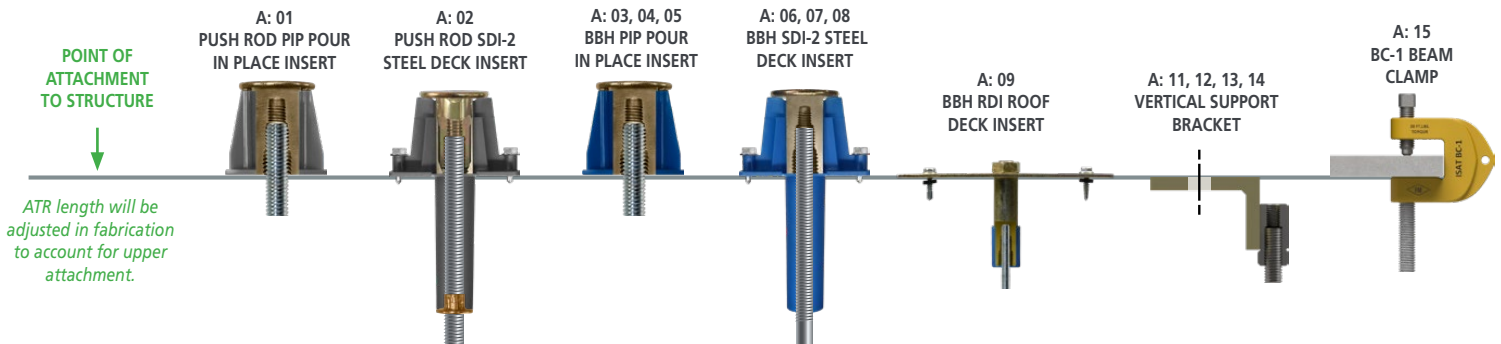


FOOTNOTES:

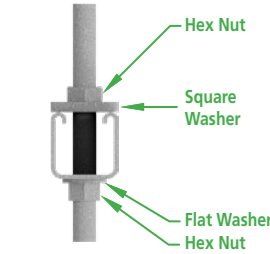
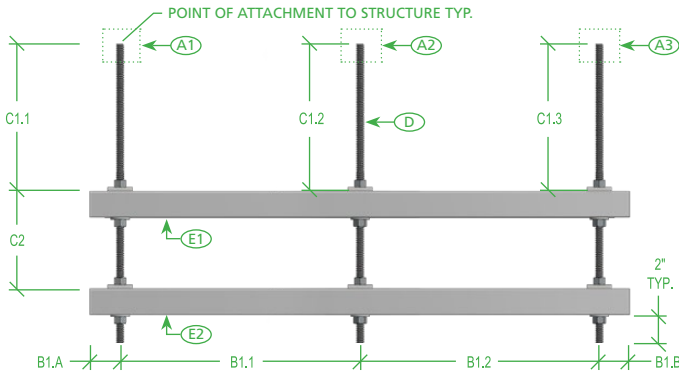
1. Trapezes ordered with 3/8" and 1/2" ATR are built with 9/16" holes. Trapezes with 5/8" ATR are drilled out to accept rod.
2. Strut options (E) nomenclature example: B1U5L = B1 profile, strut orientation is up, strut perforations are slotted.
3. ATR length will be adjusted in fabrication to account for upper attachment.
4. ISAT Push Rod engagement mark will be added to the ATR when the PRPIP3812 or PRSDI3812-2 is selected.
5. Standard Finish: Pre-galvanized strut; electrogalvanized ATR and hardware standard. Special finishes available upon request.
6. Strut Product Manufacturer: PHD Manufacturing, Inc. Substitutions available upon request.



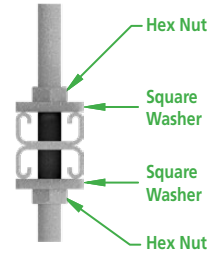
- Revit Families Available (Contact Your ISAT Rep)
- Families are LOD 400 & Fully Parametric
- Extract Support Information Directly from Revit to Simplify the Ordering Process



■ Fig. 3R2T (3 Rod - 2 Tier)



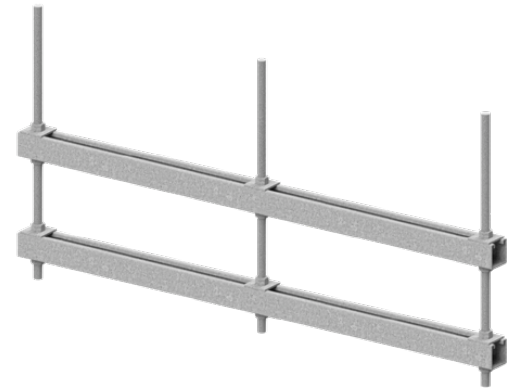
SINGLE SIDED STRUT ASSEMBLY



DOUBLE SIDED (B2B) STRUT ASSEMBLY

PART #: A1-A2-A3-B1.1-B1.2-B1.A-B1.B-C1.1-C1.2-C1.3-C2-D-E1-E2

A	B	C	D	E ² (Strut Options)			
				ORIENTATION	PERFORATIONS		
*00	None	Width (Inches)	Drop Length (Inches)	*01	3/8" ATR	"U" = UP	"S" = SOLID
*01	PRPIP3812 ^{3,4}			*02	1/2" ATR	"D" = DOWN	"P" = PUNCHED
*02.2	PRSDI3812-2 ^{3,4}			*03	5/8" ATR		"SL" = SLOTTED
*03.2	SDI143812-2 ³			*25	OTHER		
*04.2	SDI381258-2 ³						
*05.2	SDI5834-2 ³	E - Strut Profile Options					
*06	PIP143812 ³						
*07	PIP381258 ³	A1 13/16" x 1-5/8" 14g STRUT	A2 B2B 13/16" x 1-5/8" 14g STRUT				
*08	PIP5834 ³						
*09	RDI143812						
*10	ROD COUPLER	B1 1 5/8" x 1-5/8" 14g STRUT	B2 B2B 1 5/8" x 1-5/8" 12g STRUT	C1 3-1/4" x 1-5/8" 12g STRUT	C2 B2B 3-1/4" x 1-5/8" 12g STRUT		
*11	VSB3812-1438 ³						
*12	VSB3812-1258 ³						
*13	VSB5834-1438 ³						
*14	VSB5834-1258 ³						
*15	BC-1						



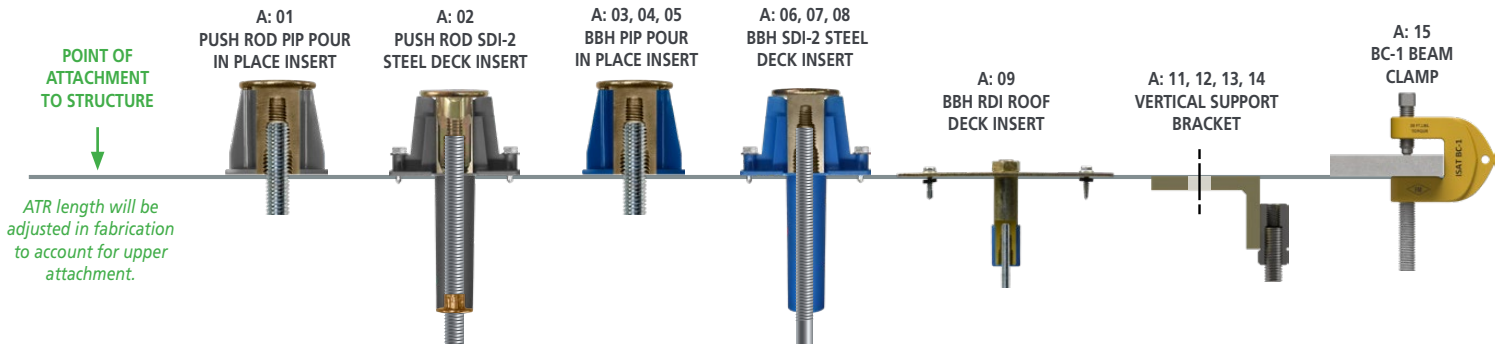
FOOTNOTES:

1. Trapezes ordered with 3/8" and 1/2" ATR are built with 9/16" holes. Trapezes with 5/8" ATR are drilled out to accept rod.
2. Strut options (E) nomenclature example: B1U5L = B1 profile, strut orientation is up, strut perforations are slotted.
3. ATR length will be adjusted in fabrication to account for upper attachment.
4. ISAT Push Rod engagement mark will be added to the ATR when the PRPIP3812 or PRSDI3812-2 is selected.
5. Standard Finish: Pre-galvanized strut; electrogalvanized ATR and hardware standard. Special finishes available upon request.
6. Strut Product Manufacturer: PHD Manufacturing, Inc. Substitutions available upon request.

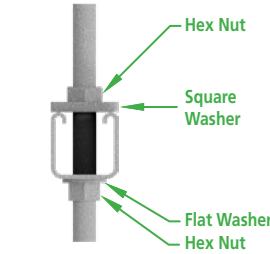
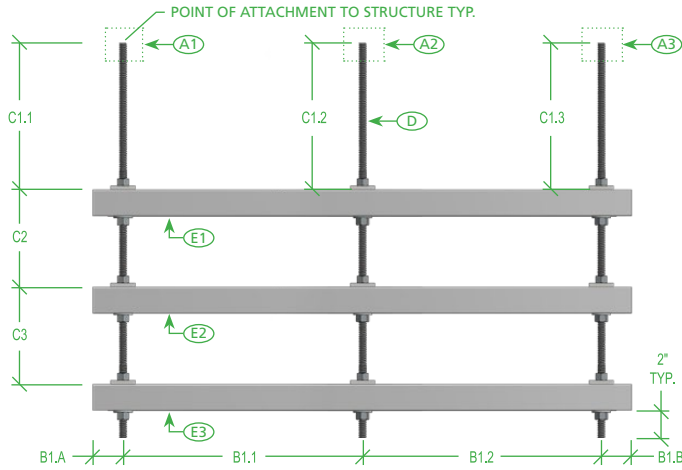


Revit Families Available

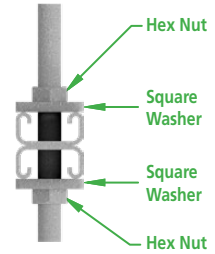
- Revit Families Available (Contact Your ISAT Rep)
- Families are LOD 400 & Fully Parametric
- Extract Support Information Directly from Revit to Simplify the Ordering Process



■ Fig. 3R3T (3 Rod - 3 Tier)



SINGLE SIDED STRUT ASSEMBLY



DOUBLE SIDED (B2B) STRUT ASSEMBLY

PART #: A1-A2-A3-B1.1-B1.2-B1.A-B1.B-C1.1-C1.2-C1.3-C2-C3-D-E1-E2-E3

A	B	C	D	E ² (Strut Options)			
				ORIENTATION	PERFORATIONS		
*00	None	Width (Inches)	Drop Length (Inches)	*01	3/8" ATR	"U" = UP	"S" = SOLID
*01	PRPIP3812 ^{3,4}			*02	1/2" ATR	"D" = DOWN	"P" = PUNCHED
*02.2	PRSDI3812-2 ^{3,4}			*03	5/8" ATR		"SL" = SLOTTED
*03.2	SDI143812-2 ³			*25	OTHER		
*04.2	SDI381258-2 ³						
*05.2	SDI5834-2 ³	E - Strut Profile Options					
*06	PIP143812 ³	A1 13/16" x 1-5/8" 14g STRUT					
*07	PIP381258 ³	A2 B2B 13/16" x 1-5/8" 14g STRUT					
*08	PIP5834 ³	B1 1 5/8" x 1-5/8" 14g STRUT					
*09	RDI143812	B2 B2B 1 5/8" x 1-5/8" 12g STRUT					
*10	ROD COUPLER	C1 3-1/4" x 1-5/8" 12g STRUT					
*11	VSB3812-1438 ³	C2 B2B 3-1/4" x 1-5/8" 12g STRUT					
*12	VSB3812-1258 ³						
*13	VSB5834-1438 ³						
*14	VSB5834-1258 ³						
*15	BC-1						



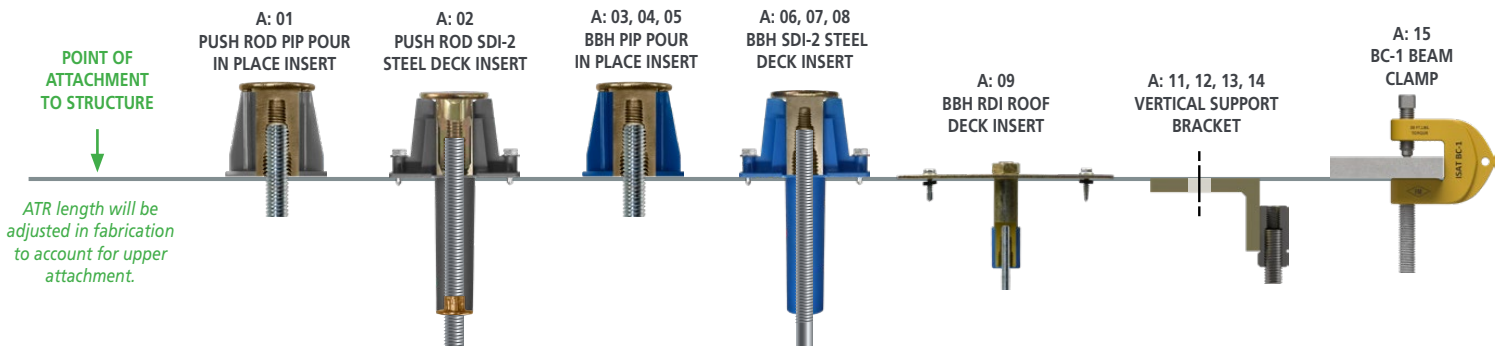
FOOTNOTES:

1. Trapezes ordered with 3/8" and 1/2" ATR are built with 9/16" holes. Trapezes with 5/8" ATR are drilled out to accept rod.
2. Strut options (E) nomenclature example: B1U^{SL} = B1 profile, strut orientation is up, strut perforations are slotted.
3. ATR length will be adjusted in fabrication to account for upper attachment.
4. ISAT Push Rod engagement mark will be added to the ATR when the PRPIP3812 or PRSDI3812-2 is selected.
5. Standard Finish: Pre-galvanized strut; electrogalvanized ATR and hardware standard. Special finishes available upon request.
6. Strut Product Manufacturer: PHD Manufacturing, Inc. Substitutions available upon request.



Revit Families Available

- Revit Families Available (Contact Your ISAT Rep)
- Families are LOD 400 & Fully Parametric
- Extract Support Information Directly from Revit to Simplify the Ordering Process



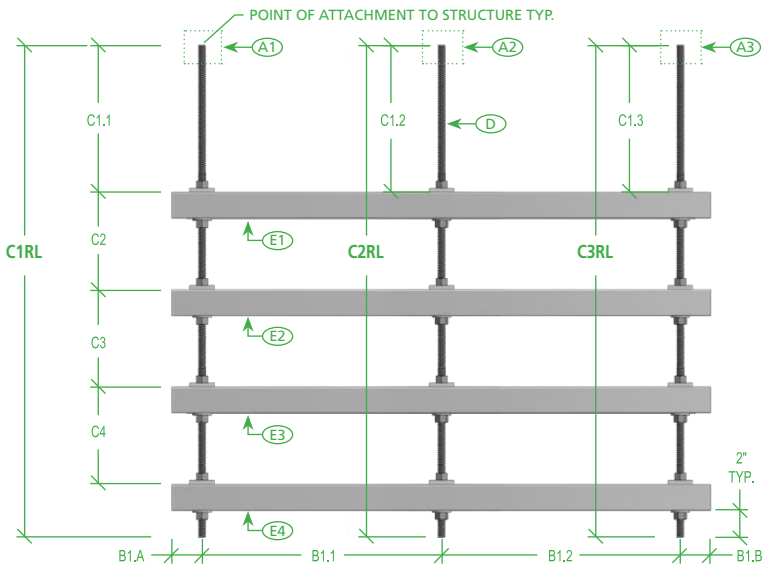
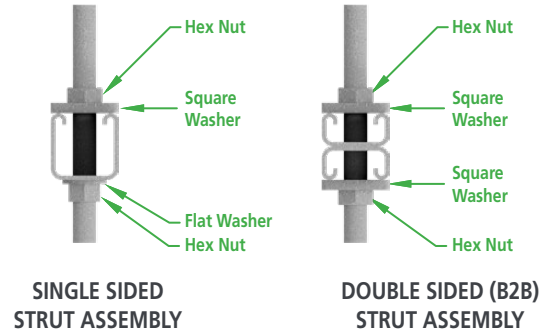


Fig. 3R4T (3 Rod - 4 Tier)



PART #: A1-A2-A3-B1.1-B1.2-B1.A-B1.B-C1.1-C1.2-C1.3-C2-C3-C4-D-E1-E2-E3-E4

A	B	C	D	E ¹ (Strut Options)		
				ORIENTATION	PERFORATIONS	
*00	None	Width (Inches) Drop Length (Inches)	*01	3/8" ATR	"U" = UP	"S" = SOLID
*01	PRPIP3812 ^{3,4}		*02	1/2" ATR	"D" = DOWN	"P" = PUNCHED
*02.2	PRSDI3812-2 ^{3,4}		*03	5/8" ATR		"SL" = SLOTTED
*03.2	SDI143812-2 ³		*25	OTHER		
*04.2	SDI381258-2 ³					
*05.2	SDI5834-2 ³	E - Strut Profile Options				
*06	PIP143812 ²					
*07	PIP381258 ²	A1 13/16" x 1-5/8" 14g STRUT	A2 B2B 13/16" x 1-5/8" 14g STRUT			
*08	PIP5834 ²					
*09	RD1143812			C1 3-1/4" x 1-5/8" 12g STRUT	C2 B2B 3-1/4" x 1-5/8" 12g STRUT	
*10	ROD COUPLER					
*11	VSB3812-1438 ³	B1 1 5/8" x 1-5/8" 14g STRUT	B2 B2B 1 5/8" x 1-5/8" 12g STRUT			
*12	VSB3812-1258 ³					
*13	VSB5834-1438 ³					
*14	VSB5834-1258 ³					
*15	BC-1					



FOOTNOTES:

1. Trapezes ordered with 3/8" and 1/2" ATR are built with 9/16" holes. Trapezes with 5/8" ATR are drilled out to accept rod.
2. Strut options (E) nomenclature example: B1U1S = B1 profile, strut orientation is up, strut perforations are slotted.
3. ATR length will be adjusted in fabrication to account for upper attachment.
4. ISAT Push Rod engagement mark will be added to the ATR when the PRPIP3812 or PRSDI3812-2 is selected.
5. Standard Finish: Pre-galvanized strut; electrogalvanized ATR and hardware standard. Special finishes available upon request.
6. Strut Product Manufacturer: PHD Manufacturing, Inc. Substitutions available upon request.



- Revit Families Available (Contact Your ISAT Rep)
- Families are LOD 400 & Fully Parametric
- Extract Support Information Directly from Revit to Simplify the Ordering Process

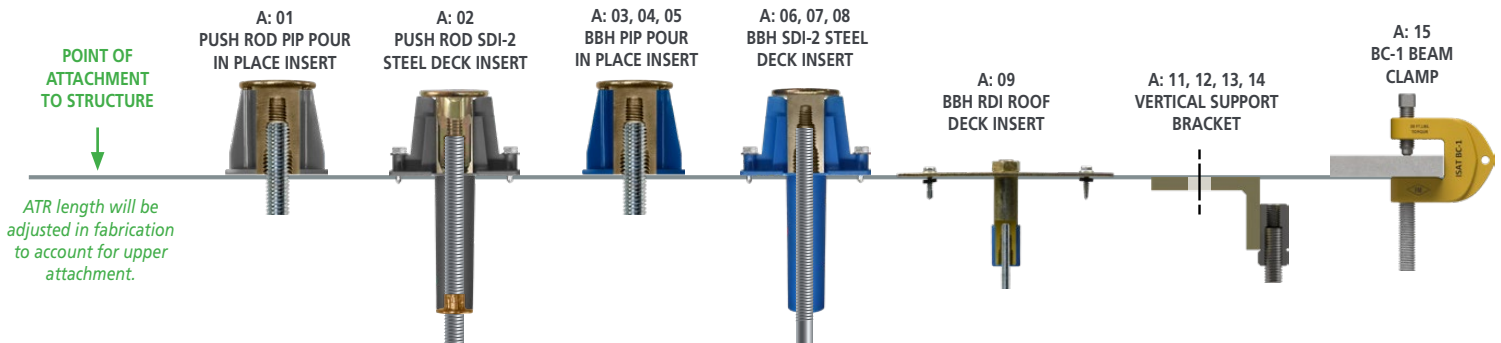
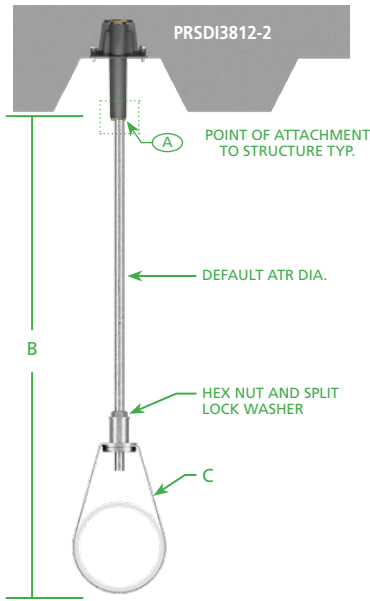


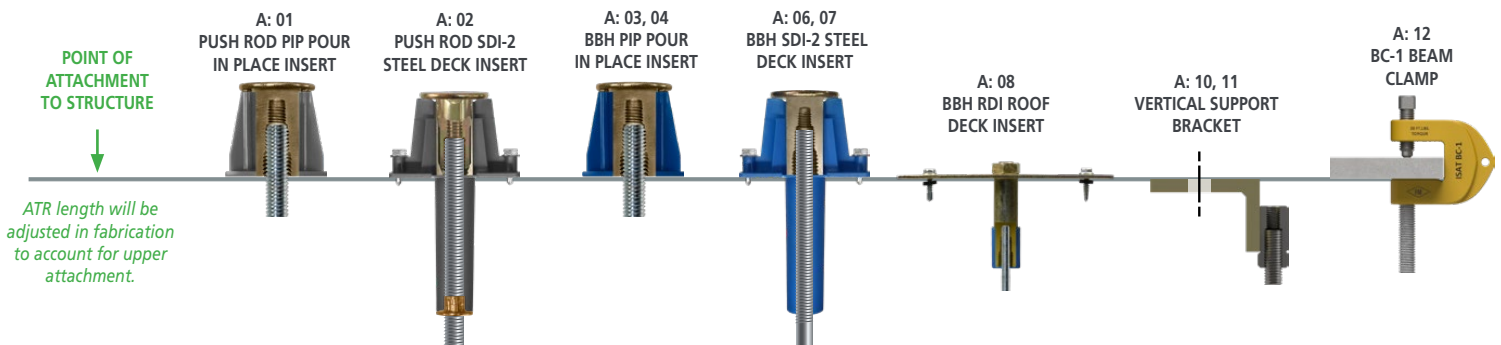
Fig. SH-BH
(Single Hung - Band Hanger)

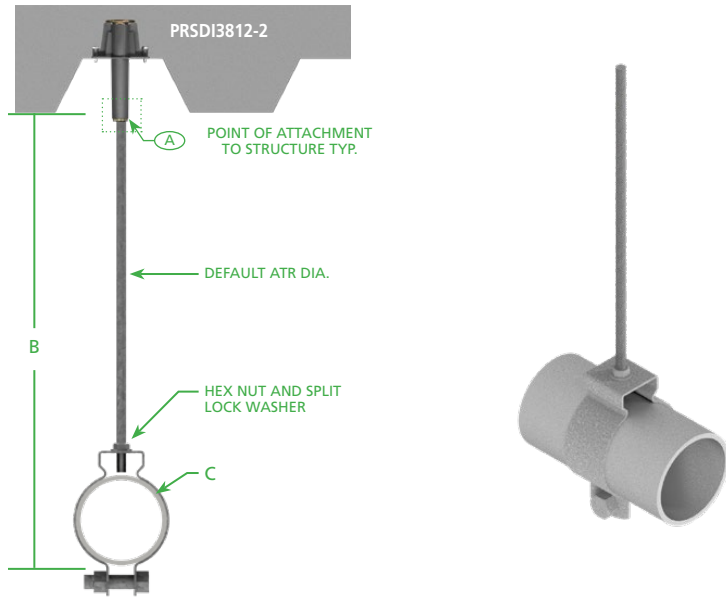


- Revit Families Available (Contact Your ISAT Rep)
- Families are LOD 400 & Fully Parametric
- Extract Support Information Directly from Revit to Simplify the Ordering Process

PART #: SH-BH-A-B-C

A			C			D		
			Hanger Size	Default ATR Dia.	PHD Fig. #	Finish		
*00	NONE	*07	PIP381258 SUITABLE FOR 3/8", 1/2", & 5/8" ATR	*01	1/2"	3/8"	FIG 141	PRE-GALVANIZED
				*02	3/4"	3/8"		
*01	PRPIP3812 SUITABLE FOR 3/8", 1/2" & 5/8" ATR	*08	RDI143812 SUITABLE FOR 3/8" & 1/2" ATR	*03	1"	3/8"	FIG 141F	PRE-GALVANIZED WITH FELT LINING
				*04	1-1/4"	3/8"		
*02.2	PRSDI3812-2 SUITABLE FOR 3/8", 1/2" & 5/8" ATR	*09	ROD COUPLER	*05	1-1/2"	3/8"		
				*06	2"	3/8"		
*03.2	SDI143812-2 SUITABLE FOR 3/8" & 1/2" ATR	*10	VSB3812-1438 SUITABLE FOR 3/8" & 1/2" ATR	*07	2-1/2"	3/8"		
				*08	3"	3/8"		
*04.2	SDI381258-2 SUITABLE FOR 3/8", 1/2", & 5/8" ATR	*11	VSB3812-1258 SUITABLE FOR 3/8" & 1/2" ATR	*09	3-1/2"	3/8"		
				*10	4"	3/8"		
*06.2	PIP143812 SUITABLE FOR 3/8" & 1/2" ATR	*12	BC-1 SUITABLE FOR 3/8" & 1/2" ATR	*11	5"	1/2"		
				*12	6"	1/2"		
				*13	8"	1/2"		
				*13	8"	1/2"		





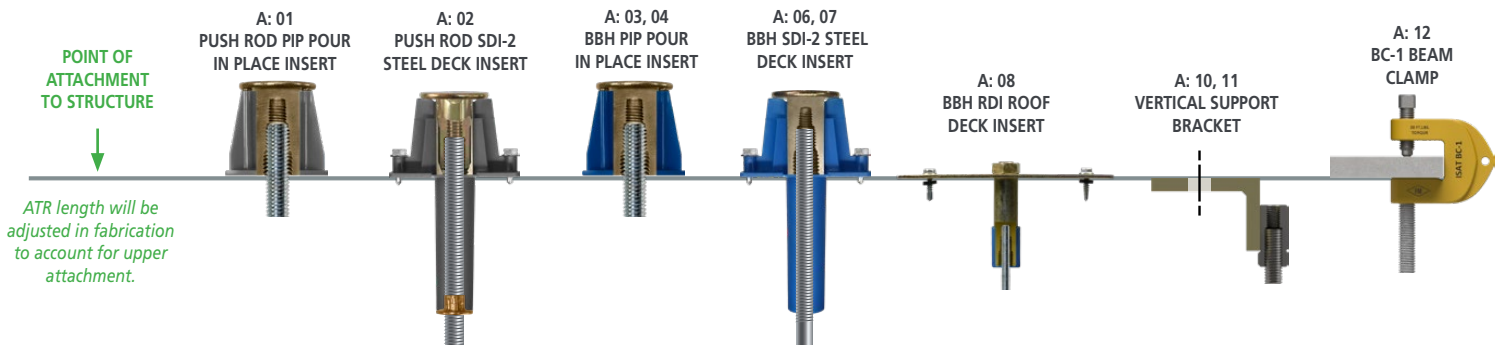
■ Fig. SH-CONH
(Single Hung - Conduit Hanger)



- Revit Families Available (Contact Your ISAT Rep)
- Families are LOD 400 & Fully Parametric
- Extract Support Information Directly from Revit to Simplify the Ordering Process

PART #: SH-CONH-A-B-C

A			C				
			Hanger Size		Hanger Part#	Default ATR Dia.	
*00	NONE	*07	PIP381258 SUITABLE FOR 3/8", 1/2", & 5/8" ATR	*01	1/2"	CADDY CDOB37	3/8"
				*02	3/4"	CADDY CD1B37	3/8"
*01	PRPIP3812 SUITABLE FOR 3/8", 1/2" & 5/8" ATR	*08	RDI143812 SUITABLE FOR 3/8" & 1/2" ATR	*03	1"	CADDY CD2B37	3/8"
				*04	1-1/4"	CADDY CD2.5B37	3/8"
*02.2	PRSDI3812-2 SUITABLE FOR 3/8", 1/2" & 5/8" ATR	*09	ROD COUPLER	*05	1-1/2"	CADDY CD3B37	3/8"
				*06	2"	CADDY CD5B37	3/8"
*03.2	SDI143812-2 SUITABLE FOR 3/8" & 1/2" ATR	*10	VSB3812-1438 SUITABLE FOR 3/8" & 1/2" ATR	*07	2-1/2"	CADDY CD6B37	3/8"
				*08	3"	CADDY CD7B37	3/8"
*04.2	SDI381258-2 SUITABLE FOR 3/8", 1/2", & 5/8" ATR	*11	VSB3812-1258 SUITABLE FOR 3/8" & 1/2" ATR	*09	3-1/2"	CADDY CD8B37	3/8"
				*10	4"	CADDY CD9B37	3/8"
*06	PIP143812 SUITABLE FOR 3/8" & 1/2" ATR	*12	BC-1 SUITABLE FOR 3/8" & 1/2" ATR				



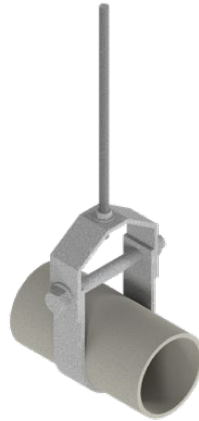
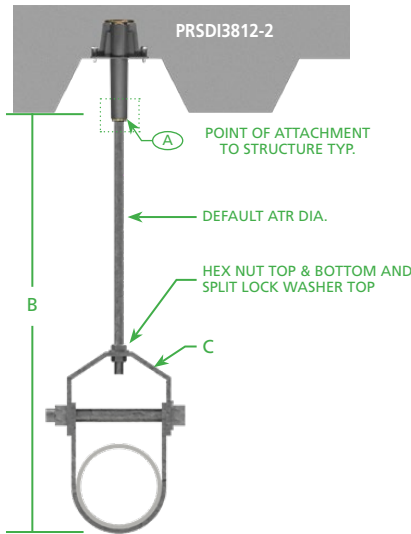


Fig. SH-CLH (Single Hung - Clevis Hanger)

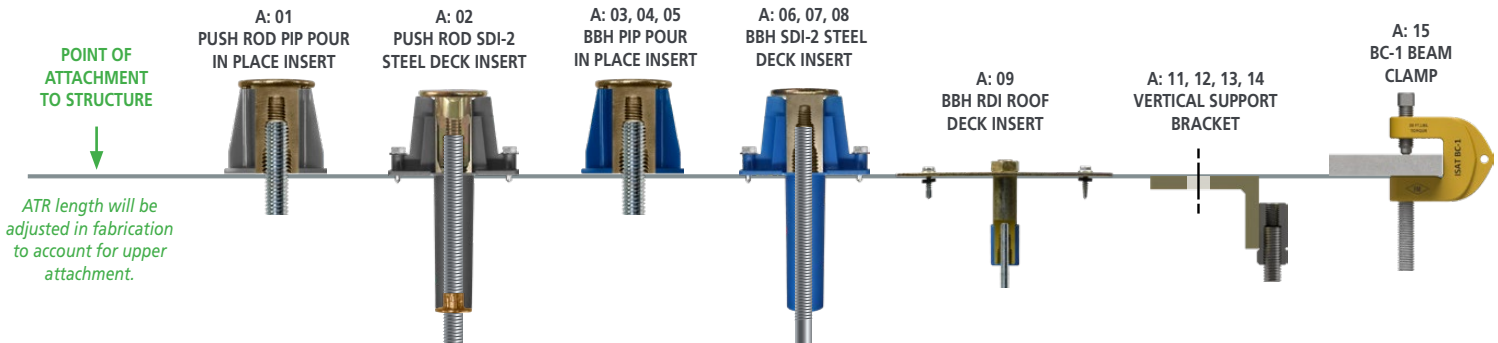


Revit Families Available

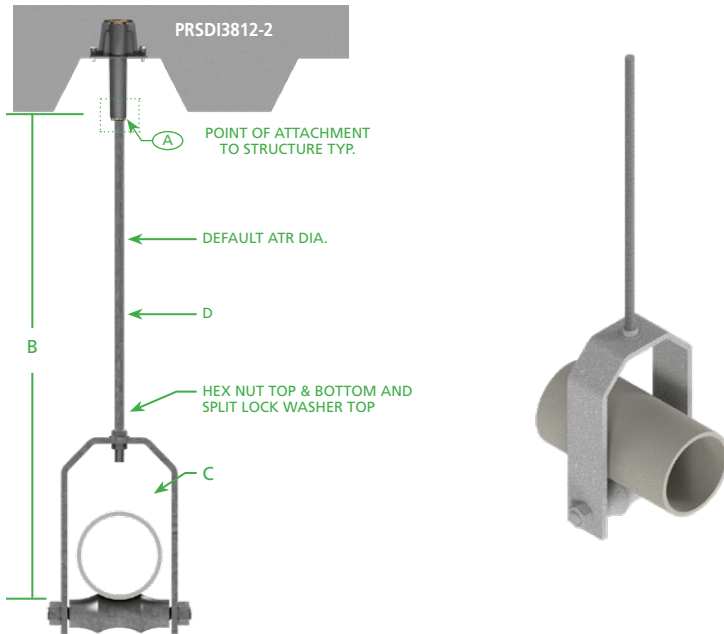
- Revit Families Available (Contact Your ISAT Rep)
- Families are LOD 400 & Fully Parametric
- Extract Support Information Directly from Revit to Simplify the Ordering Process

PART #: SH-CLH-A-B-C-D-E

A			C		D		E	
			Hanger Size	Default ATR Dia.	Custom ATR Dia.	PHD Fig. #	Finish	
*00	NONE	*08	PIP5834 SUITABLE FOR 5/8" & 3/4" ATR	*01 1/2" 3/8" *02 3/4" 3/8"	*00 Use Default *01 3/8"	FIG 450 FIG 450F	PLAIN PLAIN WITH FELT LINING	
*01	PRPIP3812 SUITABLE FOR 3/8", 1/2" & 5/8" ATR	*09	RDI143812 SUITABLE FOR 3/8" & 1/2" ATR	*03 1" 3/8" *04 1-1/4" 3/8"	*02 1/2" *03 5/8"	FIG 451 FIG 453	ELECTROGALVANIZED PLAIN WITH PVC COATING	
*02.2	PRSDI3812-2 SUITABLE FOR 3/8", 1/2" & 5/8" ATR	*10	ROD COUPLER	*05 1-1/2" 3/8" *06 2" 3/8"	*04 3/4" *05 7/8"	FIG 454	HDG WITH EG H/W	
*03.2	SDI143812-2 SUITABLE FOR 3/8" & 1/2"	*11	VSB3812-1438 SUITABLE FOR 3/8" & 1/2" ATR	*07 2-1/2" 1/2" *08 3" 1/2"	*06 1" *07 1-1/4"			
*04.2	SDI381258-2 SUITABLE FOR 3/8", 1/2", & 5/8" ATR	*12	VSB3812-1258 SUITABLE FOR 3/8" & 1/2" ATR	*09 3-1/2" 1/2" *10 4" 5/8"	*08 1-1/2" *09 OTHER			
*05.2	SDI5834-2 SUITABLE FOR 5/8" & 3/4" ATR	*13	VSB5834-1438 SUITABLE FOR 5/8" & 3/4" ATR	*11 5" 5/8" *12 6" 3/4"				
*06	PIP143812 SUITABLE FOR 3/8" & 1/2" ATR	*14	VSB5834-1258 SUITABLE FOR 5/8" & 3/4" ATR	*13 8" 3/4" *14 10" 7/8"				
*07	PIP381258 SUITABLE FOR 3/8", 1/2", & 5/8" ATR	*15	BC-1 SUITABLE FOR 3/8" & 1/2" ATR	*15 12" 7/8" *16 14" 1" *17 16" 1" *18 18" 1" *19 20" 1-1/4" *20 24" 1-1/4" *21 30" 1-1/4" *22 36" 1-1/2"				



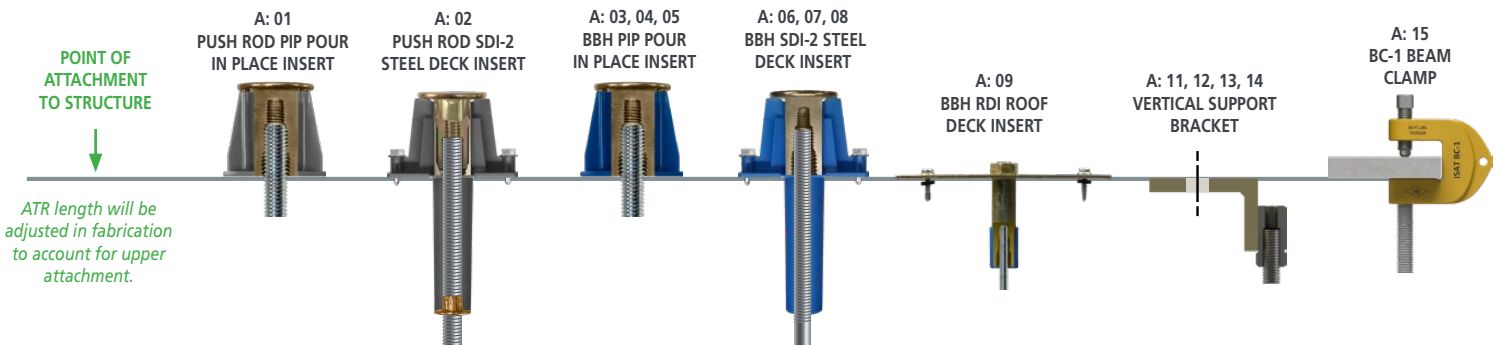
**■ Fig. SH-RH
(Single Hung - Roller Hanger)**



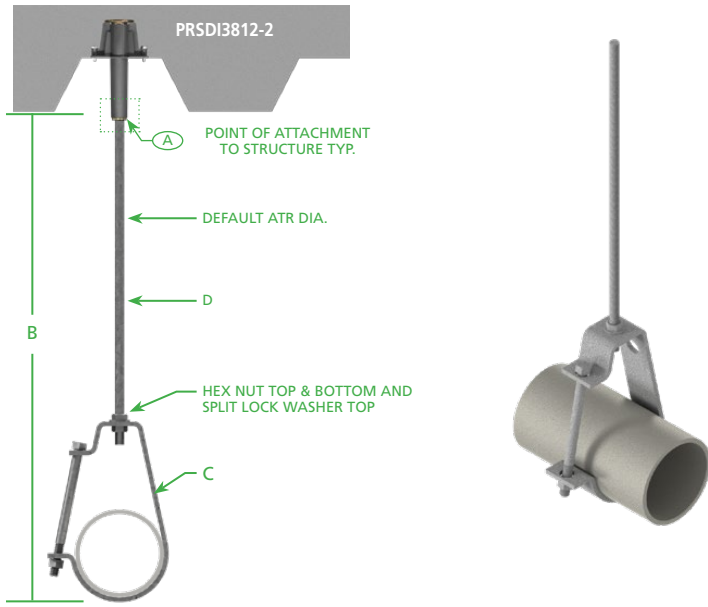
- Revit Families Available (Contact Your ISAT Rep)
- Families are LOD 400 & Fully Parametric
- Extract Support Information Directly from Revit to Simplify the Ordering Process

PART #: SH-RH-A-B-C-D-E

A				C			D		E	
				Hanger Size	Default ATR Dia.	Custom ATR Dia.	PHD Fig. #	Finish		
*00	NONE	*08	PIP5834 SUITABLE FOR 5/8" & 3/4" ATR	*06 2"	3/8"	*00	Use Default	FIG 470	PLAIN	
*01	PRPIP3812 SUITABLE FOR 3/8", 1/2" & 5/8" ATR	*09	RDI143812 SUITABLE FOR 3/8" & 1/2" ATR	*07	2-1/2"	1/2"	*01	3/8"	FIG 470 - 304SS	304 STAINLESS STEEL
				*09	3-1/2"	1/2"	*03	5/8"	FIG 470 - 316SS	316 STAINLESS STEEL
*02.2	PRSDI3812-2 SUITABLE FOR 3/8", 1/2" & 5/8" ATR	*10	ROD COUPLER	*10	4"	5/8"	*04	3/4"		
				*11	5"	5/8"	*05	7/8"		
*03.2	SDI143812-2 SUITABLE FOR 3/8" & 1/2" ATR	*11	VSB3812-1438 SUITABLE FOR 3/8" & 1/2" ATR	*12	6"	3/4"	*06	1"		
				*13	8"	3/4"	*07	1-1/4"		
*04.2	SDI381258-2 SUITABLE FOR 3/8", 1/2", & 5/8" ATR	*12	VSB3812-1258 SUITABLE FOR 3/8" & 1/2" ATR	*14	10"	7/8"	*08	1-1/2"		
				*15	12"	7/8"	*09	OTHER		
*05.2	SDI5834-2 SUITABLE FOR 5/8" & 3/4" ATR	*13	VSB5834-1438 SUITABLE FOR 5/8" & 3/4" ATR	*16	14"	1"				
				*17	16"	1"				
*06	PIP143812 SUITABLE FOR 3/8" & 1/2" ATR	*14	VSB5834-1258 SUITABLE FOR 5/8" & 3/4" ATR	*18	18"	1"				
				*19	20"	1-1/4"				
*07	PIP381258 SUITABLE FOR 3/8", 1/2", & 5/8" ATR	*15	BC-1 SUITABLE FOR 3/8" & 1/2" ATR	*20	24"	1-1/2"				



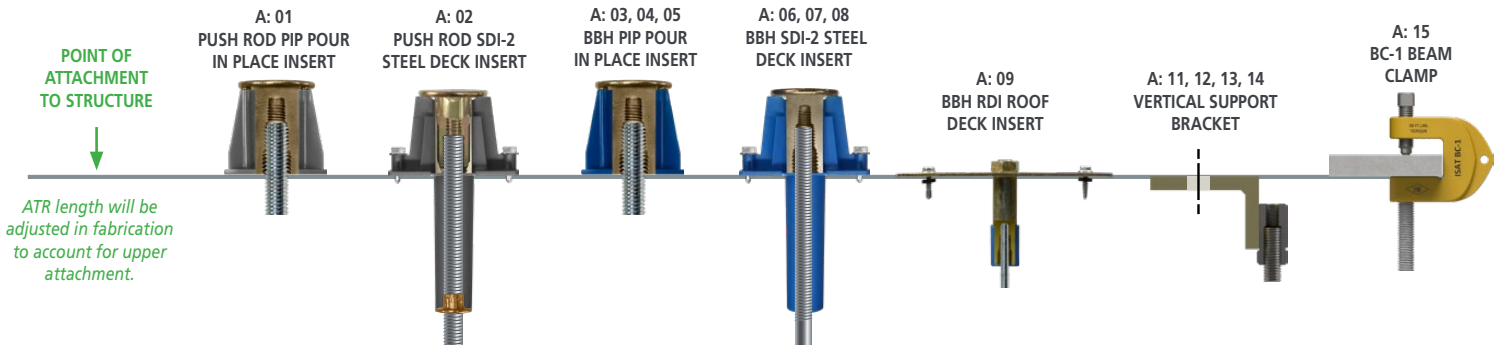
**Fig. SH-JH
(Single Hung - J-Hanger)**



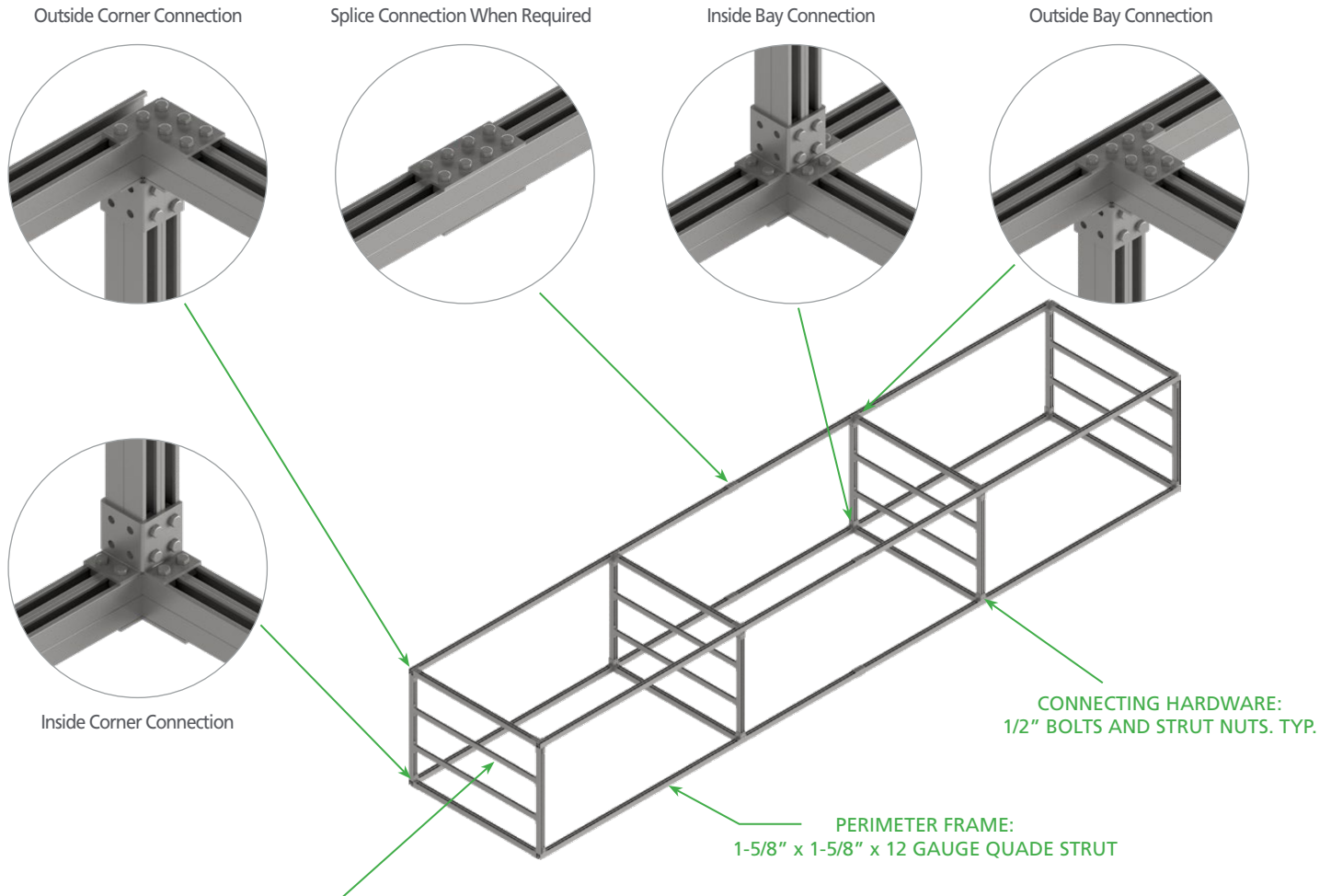
- Revit Families Available (Contact Your ISAT Rep)
- Families are LOD 400 & Fully Parametric
- Extract Support Information Directly from Revit to Simplify the Ordering Process

PART #: SH-JH-A-B-C-D-E

A				C			D		E	
				Hanger Size	Default ATR Dia.	Custom ATR Dia.	PHD Fig. #	Finish		
*00	NONE	*08	PIP5834 SUITABLE FOR 5/8" & 3/4" ATR	*01 1/2" 3/8"	*02 3/4" 3/8"	*00 Use Default	*01 3/8"	FIG 970	ELECTROGALVANIZED	
*01	PRPIP3812 SUITABLE FOR 3/8", 1/2" & 5/8" ATR	*09	RDI143812 SUITABLE FOR 3/8" & 1/2" ATR	*03 1" 3/8"	*04 1-1/4" 3/8"	*02 1/2"	*03 5/8"	FIG 970F	ELECTROGALVANIZED W/ FELT LINING	
*02.2	PRSDI3812-2 SUITABLE FOR 3/8", 1/2" & 5/8" ATR	*10	ROD COUPLER	*05 1-1/2" 3/8"	*06 2" 3/8"	*04 3/4"		FIG 973	ELECTROGALVANIZED W/ PVC COATING	
*03.2	SDI143812-2 SUITABLE FOR 3/8" & 1/2" ATR	*11	VS83812-1438 SUITABLE FOR 3/8" & 1/2" ATR	*07 2-1/2" 1/2"	*08 3" 1/2"					
*04.2	SDI381258-2 SUITABLE FOR 3/8", 1/2", & 5/8" ATR	*12	VS83812-1258 SUITABLE FOR 3/8" & 1/2" ATR	*09 3-1/2" 1/2"	*10 4" 5/8"					
*05.2	SDI5834-2 SUITABLE FOR 5/8" & 3/4" ATR	*13	VS85834-1438 SUITABLE FOR 5/8" & 3/4" ATR	*11 5" 5/8"	*12 6" 3/4"					
*06	PIP143812 SUITABLE FOR 3/8" & 1/2" ATR	*14	VS85834-1258 SUITABLE FOR 5/8" & 3/4" ATR	*13 8" 3/4"						
*07	PIP381258 SUITABLE FOR 3/8", 1/2", & 5/8" ATR	*15	BC-1 SUITABLE FOR 3/8" & 1/2" ATR							



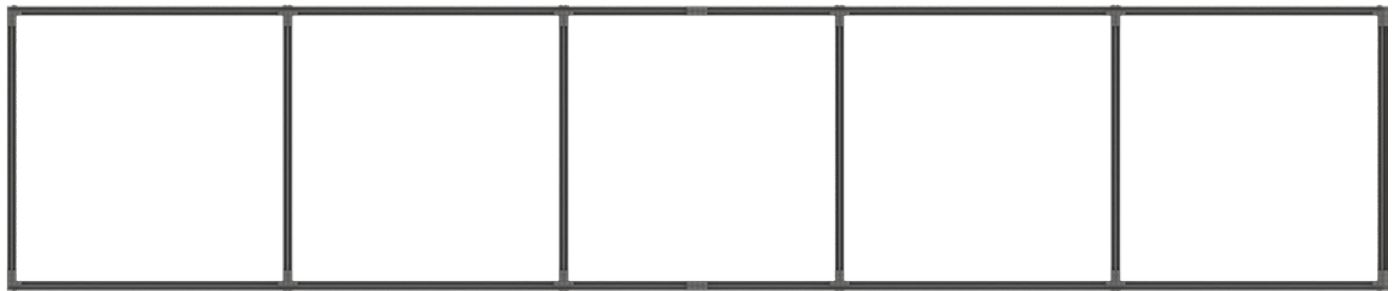
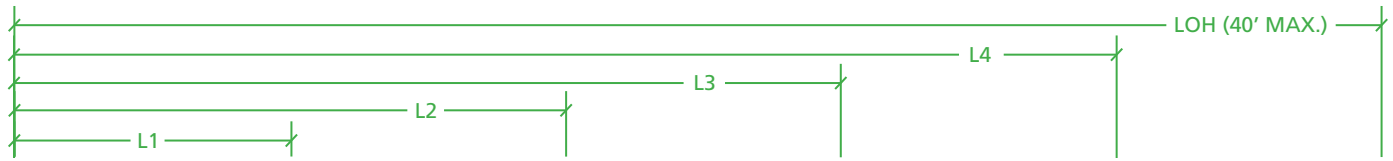
Multi-Trade Module - Strut Options



T (OPTIONAL) - HORIZONTAL STRUT MEMBER OPTIONS (PROFILE/ORIENTATION)							
PROFILE					VERTICAL ORIENTATION		
*01	 1-5/8" x 1-5/8" 12g STRUT	*03	 S2S 1-5/8" x 1-5/8" 12g STRUT	*05	 3-1/4" x 1-5/8" 12g STRUT	U	 STRUT MOUTH UP
						D	 STRUT MOUTH DOWN
*02	 B2B 1-5/8" x 1-5/8" 12g STRUT	*04	 QUAD 1-5/8" x 1-5/8" 12g STRUT	*06	 S2S 3-1/4" x 1-5/8" 12g STRUT	N	NOT APPLICABLE (B2B STRUT)

HORIZONTAL STRUT MEMBER (F) NOMENCLATURE EXAMPLE
 01U=: 1-5/8" x 1-5/8" 12g STRUT, STRUT MOUTH ORIENTATED UP

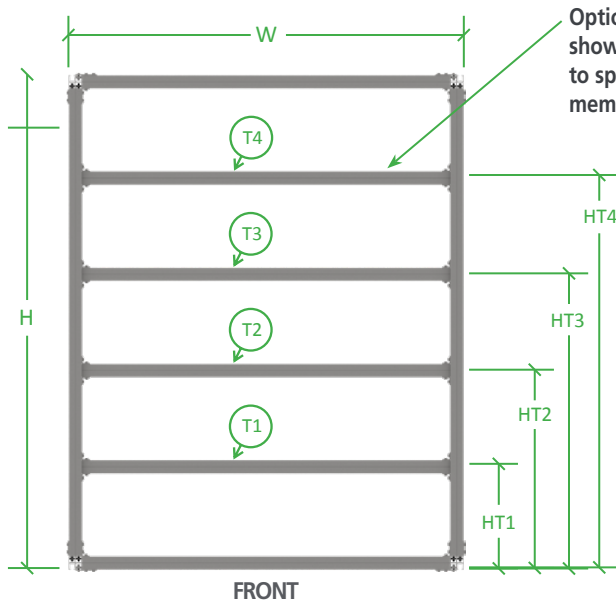
■ Fig. MDF-QS-5B (5-Bay Multi Trade Module)



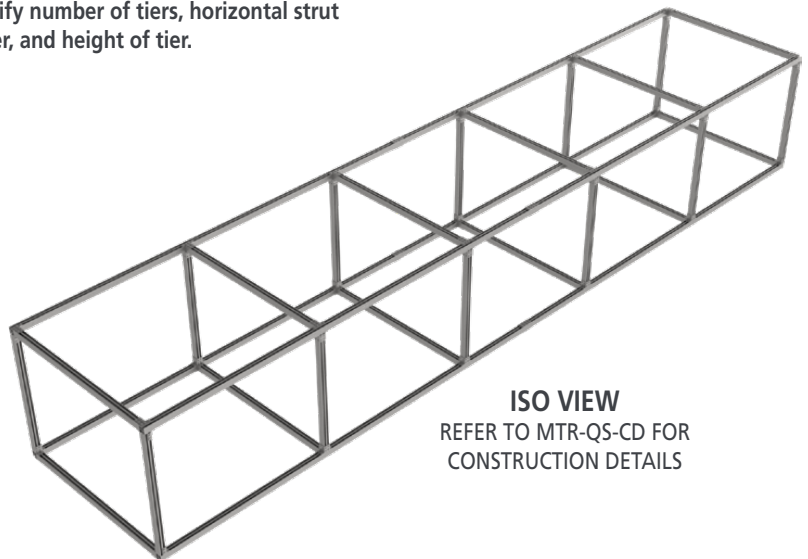
TOP



SIDE



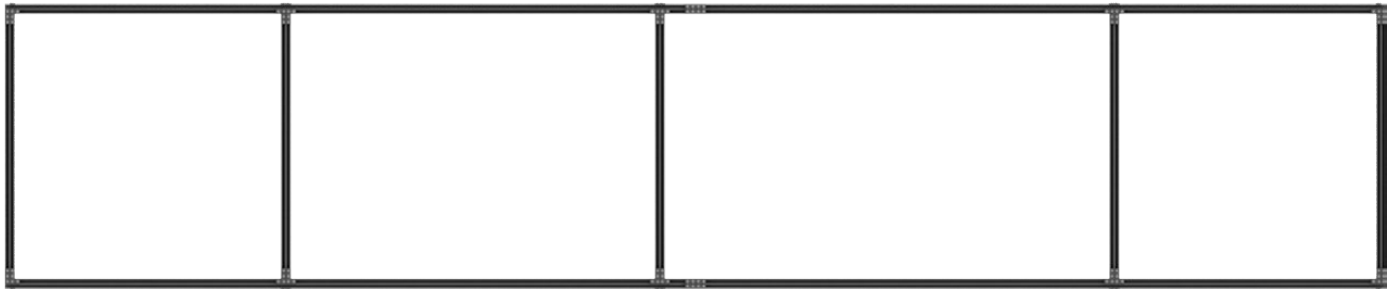
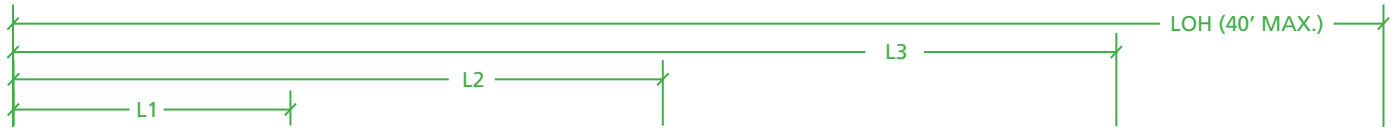
FRONT



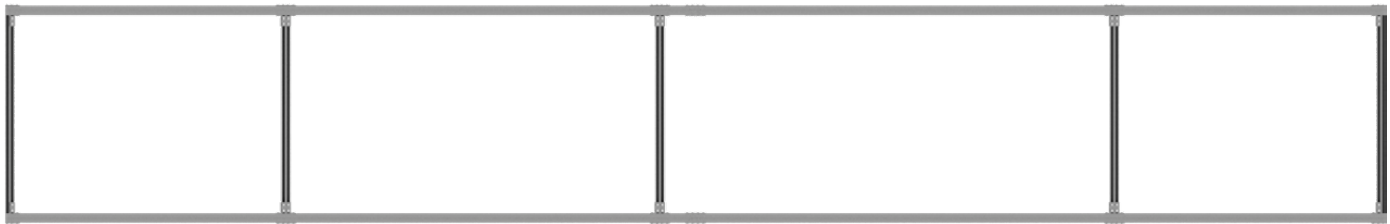
ISO VIEW
REFER TO MTR-QS-CD FOR
CONSTRUCTION DETAILS

PART #: MTR-QS-5B: LOH-L1-L2-L3-L4-W-H-T1-HT1-T2-HT2-T3-HT3-T4-T4

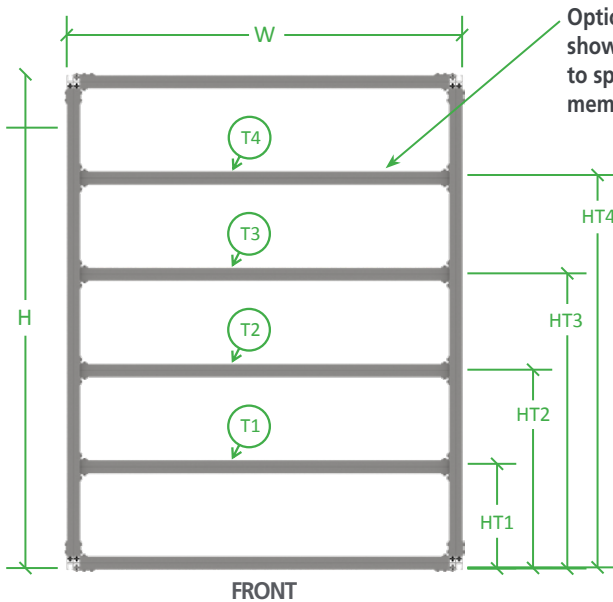
■ Fig. MDF-QS-4B (4-Bay Multi Trade Module)



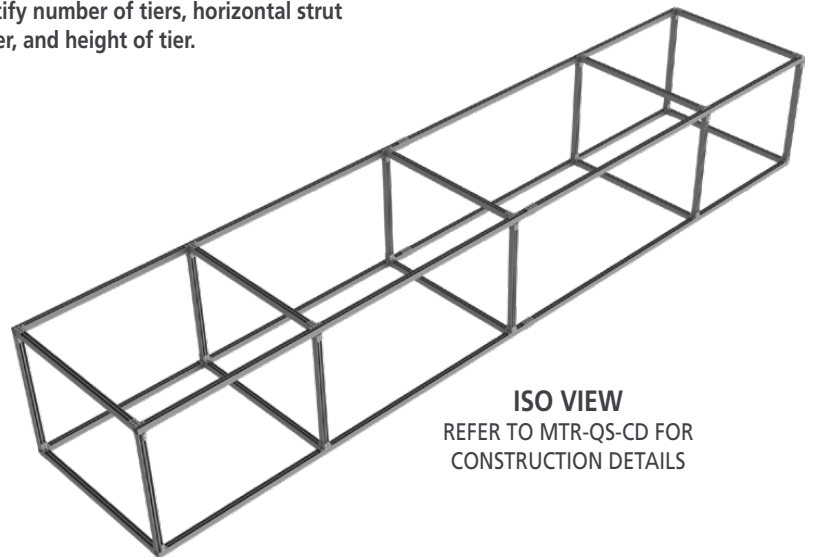
TOP



SIDE

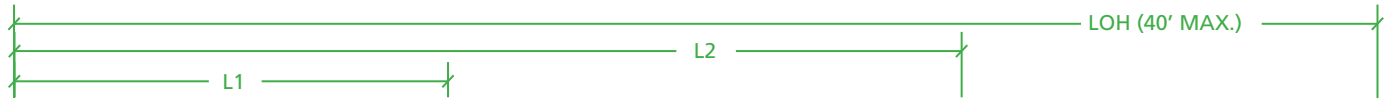


Optional horizontal strut members (4 tiers shown for illustrative purposes). Customer to specify number of tiers, horizontal strut member, and height of tier.



PART #: MTR-QS-4B: LOH-L1-L2-L3-L4-W-H-T1-HT1-T2-HT2-T3-HT3-T4-T4

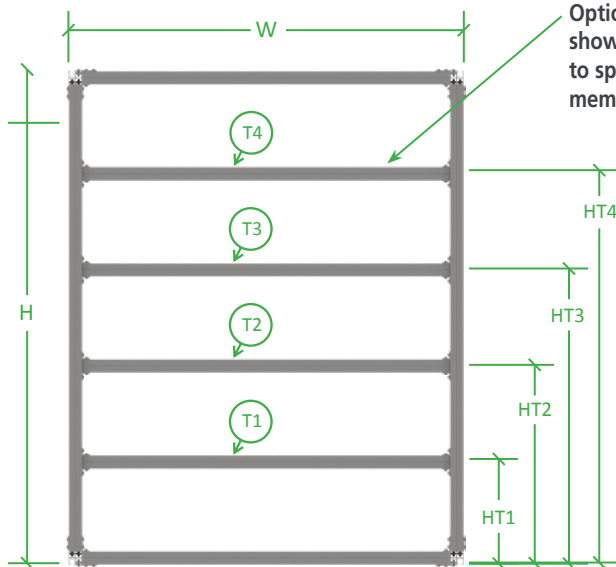
■ Fig. MDF-QS-3B (3-Bay Multi Trade Module)



TOP

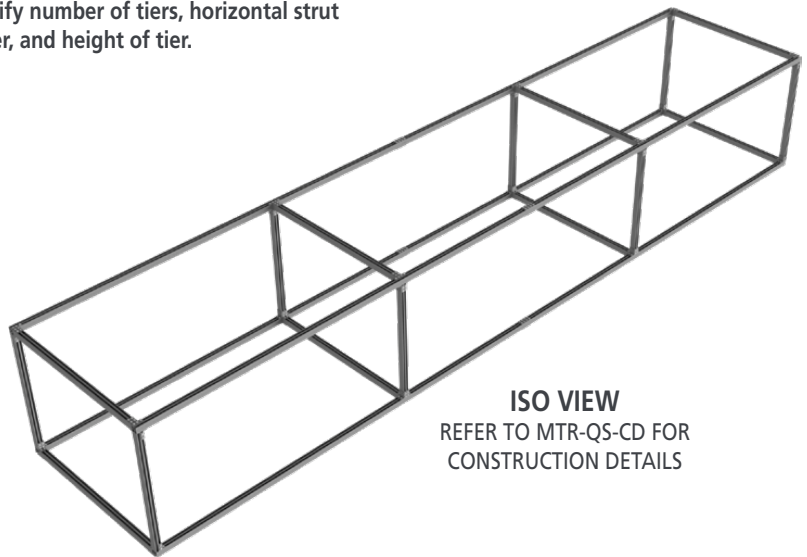


SIDE



FRONT

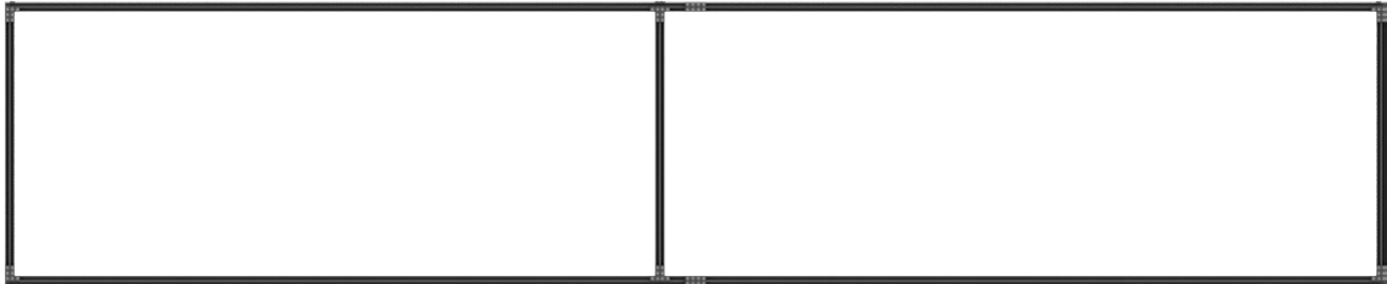
Optional horizontal strut members (4 tiers shown for illustrative purposes). Customer to specify number of tiers, horizontal strut member, and height of tier.



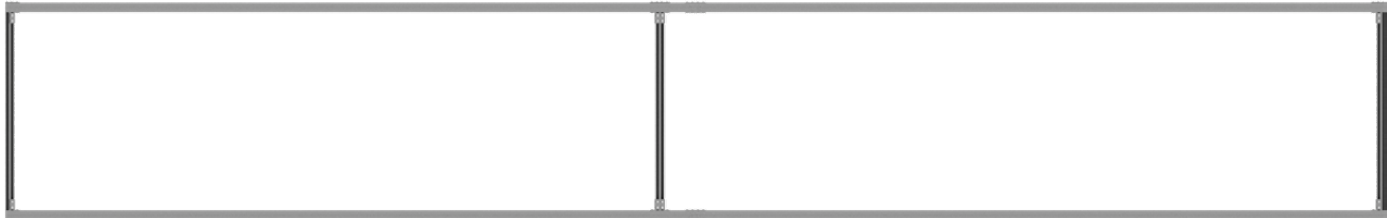
ISO VIEW
REFER TO MTR-QS-CD FOR CONSTRUCTION DETAILS

PART #: MTR-QS-3B: LOH-L1-L2-L3-L4-W-H-OPTIONAL HORIZONTAL MEMBERS
T1-HT1-T2-HT2-T3-HT3-T4-T4

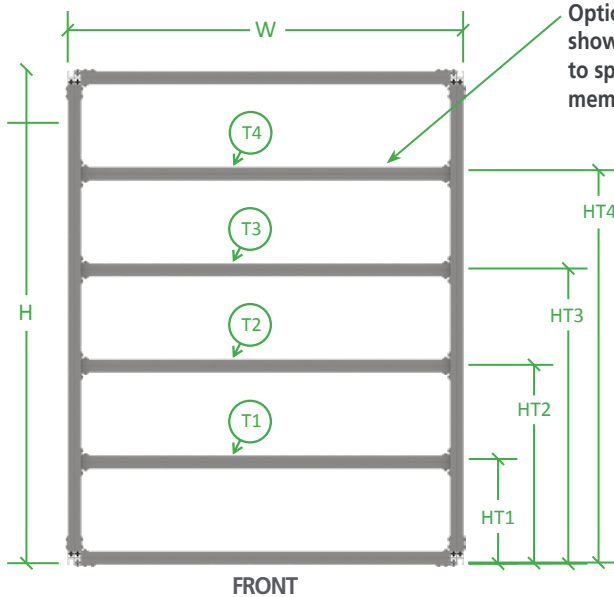
■ Fig. MDF-QS-2B (2-Bay Multi Trade Module)



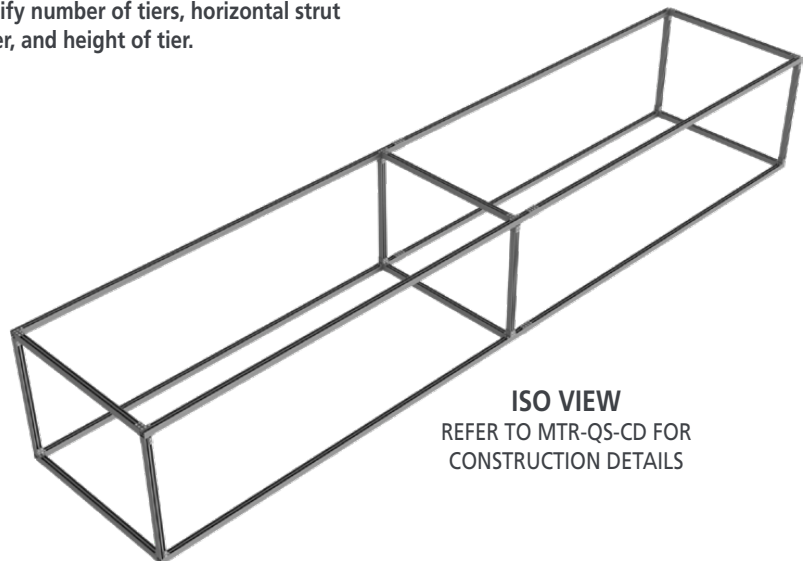
TOP



SIDE



Optional horizontal strut members (4 tiers shown for illustrative purposes). Customer to specify number of tiers, horizontal strut member, and height of tier.



ISO VIEW
REFER TO MTR-QS-CD FOR
CONSTRUCTION DETAILS

PART #: MTR-QS-2B: LOH-L1-L2-L3-L4-W-H-T1-HT1-T2-HT2-T3-HT3-T4-T4

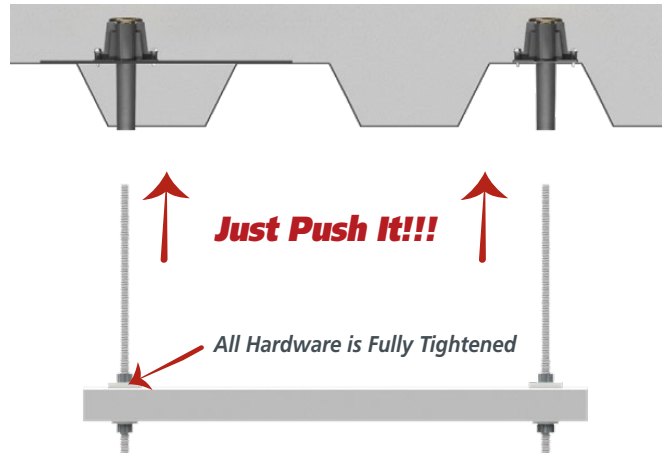


Revolutionary Push Rod Overhead Attachment System

How Do You Increase Field Installation Efficiency?
Use the Push Rod Overhead Attachment System!!!



Hanger material arrives at the jobsite ready to be installed. No time wasted assembling components.



PRPIP3812 Poured-in-Place Insert (Wood Formed Decks)



Part Number	Description
CEA-PRPIP3812	Push Rod SDI 3/8" & 1/2" (150/box)

Add "BAA" to the end of the part number for Buy American Act compliant

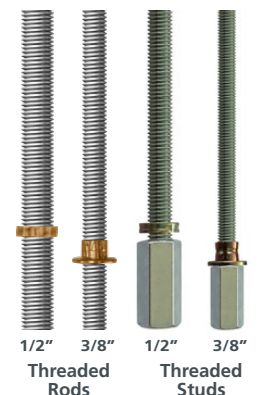


PRSDI3812-2 Steel Deck Insert (Pre-Poured Concrete Decks)



Part Number	Description
CEA-PRSDI3812-2	Push Rod SDI-2 3/8" and 1/2" (50/box)

Add "BAA" to the end of the part number for Buy American Act compliant





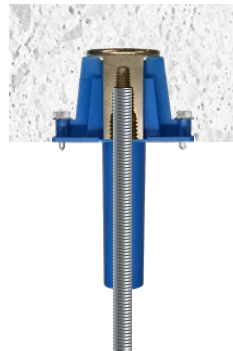
The Original, Patented Blue Banger Hangers

Engineered to Save You Time and Money!

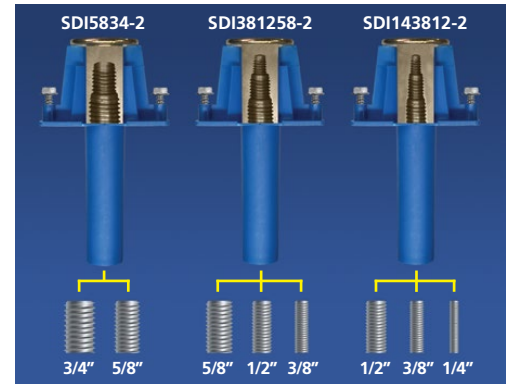


SDI-2 - Steel Deck Insert For Pre-Poured Concrete Decks

The new SDI-2 is ICC qualified for W3 and B Decks with concrete topping down to 1-1/2" when installed in lower flute and 2-1/2" when installed in the upper flute.



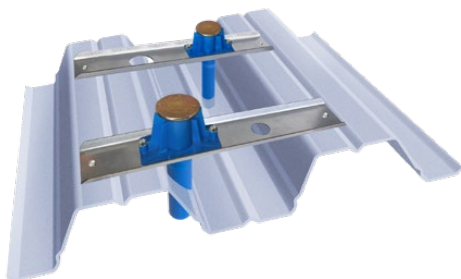
Add "BAA" to the end of the part number for Buy American Act compliant



New and improved load values when installed in center of deck flute

Part #	Rod Sizes	Description	Hole Dia.	Box Qty.
SDI143812-2	1/4", 3/8", 1/2"	Steel Deck Insert	13/16" - 7/8"	50
SDI381258-2	3/8", 1/2", 5/8"	Steel Deck Insert	1-1/8" - 1-13/16"	50
SDI5834-2	5/8", 3/4"	Steel Deck Insert	1-13/16" - 1-1/4"	50

FSB - Flute Span Bracket Fits all SDI-2 Blue Banger Hanger and Push Rods



- Enables the insert to realize the higher capacity that is achieved in the upper flute
- Positions all inserts on the project at the same elevation to eliminate multiple threaded rod lengths
- Improves the accuracy of off-site manufacturing
- Fits all size Push Rods and Blue Banger Hanger brand inserts



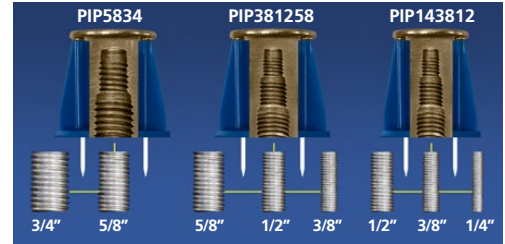
Part #	Description	Box Qty.
FSBX	Flute Span Bracket	25



PIP - Poured-in-Place Insert

For Wood Formed Concrete Decks

Pour-in-Place inserts are used on wood form poured decks and installed prior to pouring concrete, reducing installation and material costs.



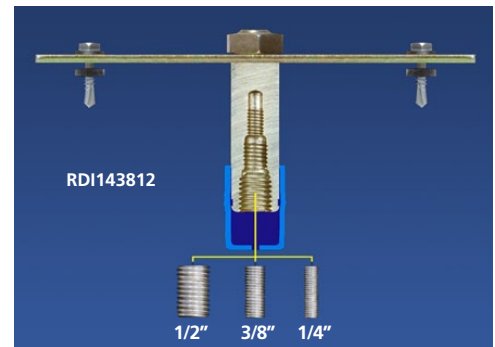
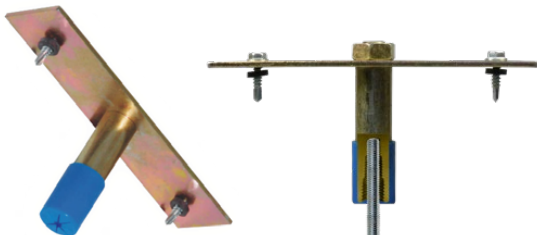
Part #	Rod Sizes	Description	Box Qty.
PIP143812RED	1/4", 3/8", 1/2"	Poured-In-Place Insert	100
PIP143812WHITE	1/4", 3/8", 1/2"	Poured-In-Place Insert	100
PIP143812BLUE	1/4", 3/8", 1/2"	Poured-In-Place Insert	100
PIP381258RED	3/8", 1/2", 5/8"	Poured-In-Place Insert	100
PIP381258WHITE	3/8", 1/2", 5/8"	Poured-In-Place Insert	100
PIP381258BLUE	3/8", 1/2", 5/8"	Poured-In-Place Insert	100
PIP5834RED	5/8", 3/4"	Poured-In-Place Insert	100
PIP5834WHITE	5/8", 3/4"	Poured-In-Place Insert	100
PIP5834BLUE	5/8", 3/4"	Poured-In-Place Insert	100

Add "BAA" to the end of the part number for Buy American Act compliant

RDI - Roof Deck Insert

For No-Concrete Steel Decks

Roof Deck Insert anchors have a low profile attachment plate that does not protrude into the roofing membrane. Fully assembled for field installation, including pre-staked deck screws.



Part #	Rod Sizes	Description	Hole Dia.	Box Qty.
RDI143812	1/4", 3/8", 1/2"	Roof Deck Insert	13/16" - 7/8"	50

Add "BAA" to the end of the part number for Buy American Act compliant

BC-1 Single Sided Beam Clamp

For Attachment to Structural Steel Members

The BC-1 Single Sided Beam Clamp is designed to quickly and easily attach EFS support assemblies to structural steel members. Its high strength design quickly and easily installs in all applications.



Case Hardened Set Screw

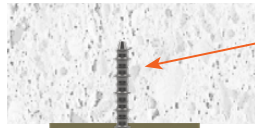
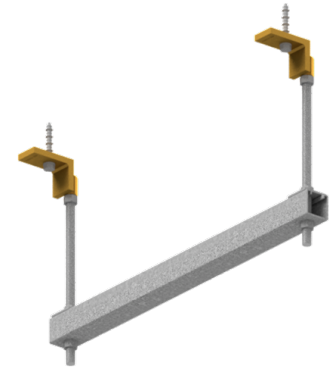
Multi-Thread design accepts 3/8" and 1/2" ATR



■ Fig. VSB - Vertical Support Bracket

Post Installed Anchor Solution

The VSB bracket is designed to install supports in existing structures or on new construction when inserts can not be utilized. Its high strength design allows for the fully assembled support to be installed without the need for disassembly.



May be used with any post installed anchor solution



Multi-Thread design accepts two sizes of ATR



Part #	ATR Dia.	Nominal Anchor Dia.
VSB3812-1438	3/8" and 1/2"	1/4" & 3/8"
VSB3812-1258		1/2" & 5/8"
VSB5834-1438	5/8" and 3/4"	1/4" & 3/8"
VSB5834-1258		1/2" & 5/8"



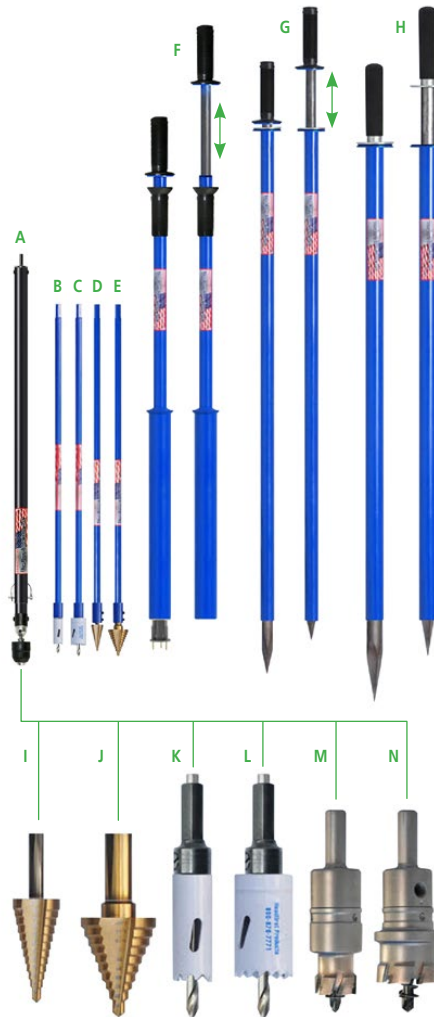
■ Tools & Accessories

A Safer Installation Method

- Everything you need to make installation easy
- Saves labor and increases productivity
- Better leverage reduces back and shoulder pain

Key	Part #	Description
A	POLMKEY36	3'-6' Telescoping Tool with Keyless Chuck
B ¹	SDDHS1	30" Deck Driller with 13/16" Hole Saw
C ²	SDDHS2	30" Deck Driller with 1-3/16" Hole Saw
D ¹	SDDS84	30" Deck Driller with 3/16 - 7/8" Step Bit
E ²	SDDS85	30" Deck Driller with 1/4" - 1-3/8" Step Bit
F ³	PIPINSTALL1	Bazooka PIP Install Tool
F ⁴	PIPINSTALL2	Bazooka PIP Install Tool
G ¹	BBDP1	13/16" Deck Punch
H ²	BBDP2	1-3/16" Deck Punch
I ¹	SB4	3/16 - 7/8" Step Bit
J ²	SB5	1/4" - 1-3/8" Step Bit
K ¹	HS1	13/16" Hole Saw Only
L ²	HS2	1-3/16" Hole Saw Only
K & L	HSA	Arbor for Hole Saw Only
M ¹	HSC1	13/16" Carbide Tip Hole Saw Only
M ²	HSC2	1-3/16" Carbide Tip Hole Saw Only
M & N	HSCA	Arbor for Carbide Tip Hole Saw Only

1 For use with SDI143812-2 and RDI143812
 2 For use with SDI381258-2 and SDI5834-2
 3 For use with PIP143812 only
 4 For use with PIP143812, PIP381258 and PIP5834





Arizona

3545 S 28th Street Building A
Phoenix, AZ 85040
PH: 602-470-0505

California (Fremont)

412 Kato Terrace
Fremont, CA 94539
PH: 510-657-1111

California (Sacramento)

8169 Alpine Ave, Ste D
Sacramento, CA 95826
PH: 916-732-2424

California (San Diego)

6490 Marindustry Dr, Ste C
San Diego, CA 92121
PH: 858-547-0700

Nevada

6355 W Maule Ave, Ste 100
Las Vegas, NV 89118
PH: 702-364-2606

New York

18-28 42nd Street
Astoria, NY 11105
PH: 212-259-0440

North Carolina

1020 Crews Rd, Ste Q & P
Matthews, NC 28105
PH: 704-841-4080

Ohio

100 W Old Wilson Bridge Rd, Ste 201
Columbus, OH 43085
PH: 440-444-3550

Oregon

14325 NE Airport Way, Ste 101
Portland, OR 97230
PH: 503-252-4423

Texas

2500 S. Hwy 183, Bldg 4, Ste 400
Austin, TX 78744
PH: 512-910-4500

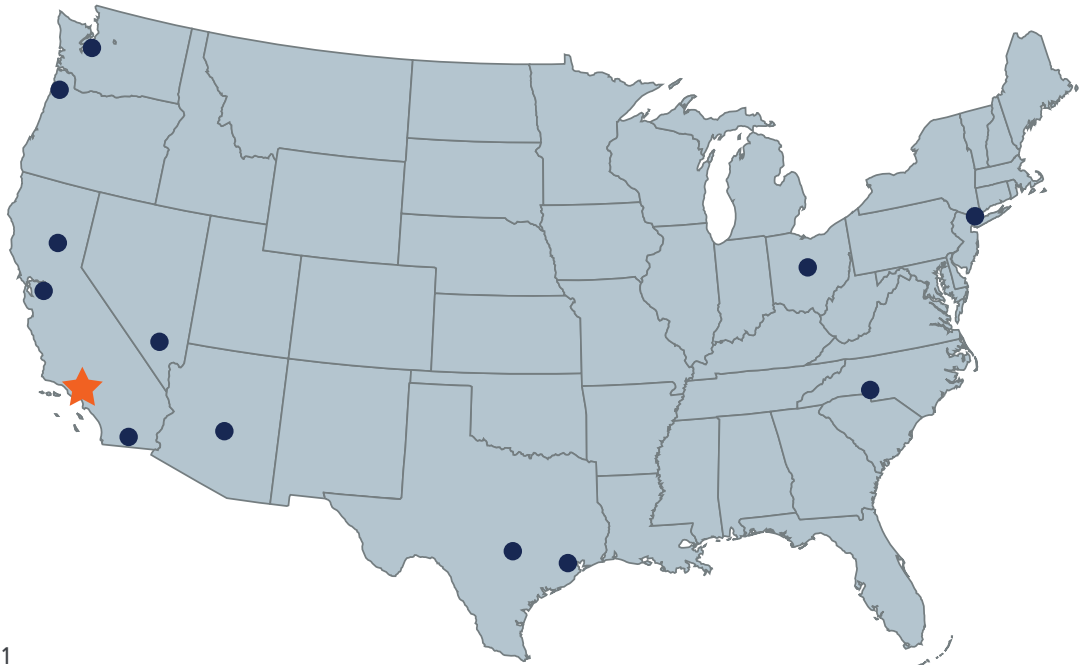
Texas

1718 N Fry Rd, Suite #118
Houston, TX 77041
PH: 281-456-3421

Washington

3107 142nd Ave East, Ste 102
Sumner, WA 98390
PH: 253-926-2250

**Strengthen the Bottom Line of Your Project with ISAT's
Innovative Hanger Support Solutions**



CORPORATE HEADQUARTERS

Inside US: 877-999-ISAT (4728)

Outside US: 00-1-714-880-3024

SERVICES@ISATTS.COM | ISATTS.COM

16050 Canary Ave., La Mirada, CA 90638



Serving the Construction Industry Since 1977

©2025 ISAT Total Support - All Rights Reserved