



America's #1
Original, Patented



TOTAL SUPPORT

Innovation • Engineering • BIM • Fabrication

DECK ANCHOR

INSERTS

- Concrete Steel Decks
- Wood-Formed Concrete Decks
- No Concrete Steel Decks

Engineered to Save You Time and Money!



TOMARCO[®]
CONTRACTOR SPECIALTIES

©2025 ISAT[®] - A Division of Tomarco[®] - All Rights Reserved

ISATTS.COM
877.999.ISAT (4728)

V1.1



The Original, Patented Blue Banger Hanger®

The Original Patented Inserts that Changed the Anchoring Industry

Blue Banger Hangers® have been engineered to save you time, money and are backed by industry leading test approvals and application engineering. Each insert handles multiple threaded rod diameters and installs in a fraction of the time of post installed anchors. Blue Banger Hangers® are the insert of choice across the full spectrum of the construction industry including mechanical, electrical, plumbing, piping and fire sprinkler contractors.

Backed By Industry Leading Test Approvals

- Cracked concrete tested for vertical and dynamic seismic loading
- Backed by: ICC report ESR-3599 granted under AC446

Engineered To Save You Time And Money

- Multiple internal threads support different threaded rod sizes
- Reduces inventory
- Allows for threaded rod size changes after inserts are installed
- Internal threads eliminate the need and cost of couplings

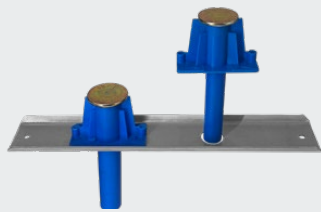


US Pat #'s
7,093,400 B1

Blue Banger Hanger® Product Index



SDI-2
Steel Deck Insert
For use with steel concrete decks



FSB-X
Flute Span Bracket
Use when installing SDI-2 between steel flutes



PIP
Poured-in-Place Insert
For use with wood-formed concrete decks



RDI
Roof Deck Insert
For use with no concrete steel decks



PIP38
Poured-in-Place Insert
For use with wood-formed concrete decks



Learn More



Scan the QR Code or Visit BlueBangerHanger.com

- Reduces Inventory
- Installs Fast & Secure
- Easily Change Rod Sizes
- No Drilling Concrete
- No Using Rod Couplers
- No Special Inspection
- No Installer Error



Revolutionary Patented Insert Design Beyond the Blue Banger Hanger®

US Pat #
US 9,181,691 B2



The Insert that Changed the Anchoring Industry Just Got Even Better

The Push Rod® Hanger Inserts were engineered from the original, patented Blue Banger Hanger®. The Push Rod® overhead attachment system features a revolutionary patented auto-lock chamber that locks in threaded rod. Installers will quickly realize the benefits of simply pushing threaded rod into the Push Rod auto-lock insert instead of turn threading.

Patented Push Rod® ATR

Factory Crimped Engagement Markings

The Push Rod® ATR include patented engagement markings that confirm full engagement. No second guessing, no installer error. Plus, just like the Blue Banger Hangers®, Push Rod® Hangers reduce inventory because each insert accommodates multiple rod sizes that can be changed after installation.

How's that for innovation?

Factory Crimped Engagement Markings (Optional)



Takes the guess work out of installation

NO INSTALLER ERROR

Factory preassembled rods with engagement markings

Insert threaded rod until it bottoms out in the insert body

Threaded rod with engagement marking is optional. Standard threaded rod may be used for all Push Rod inserts

Refer to ESR-3599 for full installation instructions



When the Push Rod® ATR is used full engagement confirmed with a visual inspection from the ground

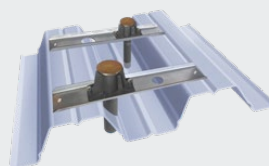
Push Rod® Hanger Product Index



PRSDI-2
Steel Deck Insert
For use with steel concrete decks



PRPIP
Poured-In-Place
For wood-formed concrete decks



FSB-X
Flute Span Bracket
Use when installing PRSDI-2 between steel flutes



1/2" & 3/8"
Push Rod ATR
Use with PRSDI-2 or PRPIP



1/2" & 3/8"
Push Rod ATR Stud
Use with PRSDI-2 or PRPIP



Learn More



Scan the QR Code or Visit isatts.com/push-rods

- Reduces Inventory
- Installs Fast & Secure
- Easily Change Rod Sizes
- No Drilling Concrete
- No Using Rod Couplers
- No Special Inspection
- No Installer Error





SDI-2 - Steel Deck Insert

For Pre-Poured Concrete Steel Decks

The new SDI-2 is ICC qualified for W3 and B Decks with concrete topping down to 1-1/2" when installed in lower flute and 2-1/2" when installed in the upper flute. SDIs are installed prior to pouring, reducing installation and material costs while increasing strength values (ideal for gravity and seismic anchorage).

Multiple Internal Threads

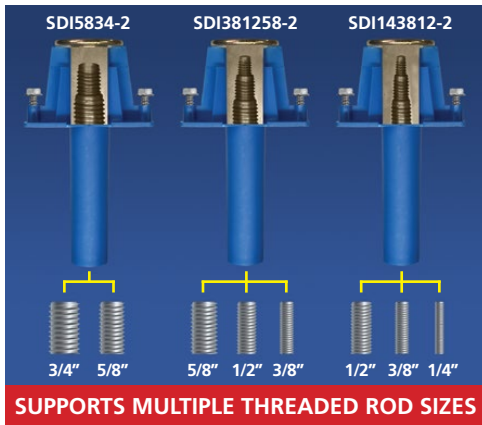
- Allows for threaded rod size changes
- Eliminate the need for, and cost of, couplings

Machined Steel Insert with Large Flanged Head

- Provides excellent pullout capacity for overhead attachments
- Qualified for use in W-deck and B-deck
- Improved shallow topping slab requirements (1-1/2" when installed in lower flute, 2-1/2" when installed in upper flute)

Three Inch Plastic Sleeve

- Keeps internal threads clean
- Extended length makes insert easy to locate, even with fireproofing below the deck
- Plastic sleeve provides guidance to align threaded rod with internal threads



| Part # | Rod Sizes | Description | Hole Dia. | Box Qty. |
|-------------|------------------|-------------------|-------------------|----------|
| SDI143812-2 | 1/4", 3/8", 1/2" | Steel Deck Insert | 13/16" - 7/8" | 50 |
| SDI381258-2 | 3/8", 1/2", 5/8" | Steel Deck Insert | 1-1/8" - 1-13/16" | 50 |
| SDI5834-2 | 5/8", 3/4" | Steel Deck Insert | 1-13/16" - 1-1/4" | 50 |

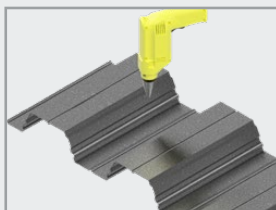
Add "BAA" to the end of the part number for the Buy American Act compliant insert



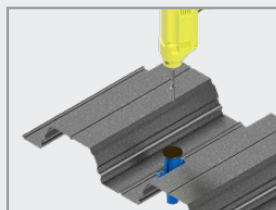
Improved load values
when installed in center
of deck flute



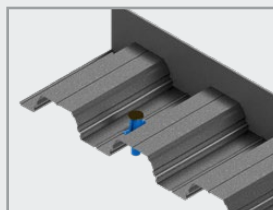
Easy Installation (See Installation Tools - Page 7)



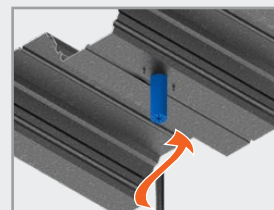
Drill it



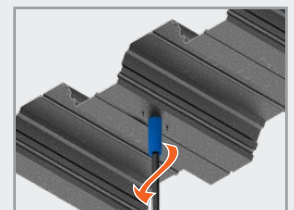
Screw to Deck



Pour Concrete



Thread Rod



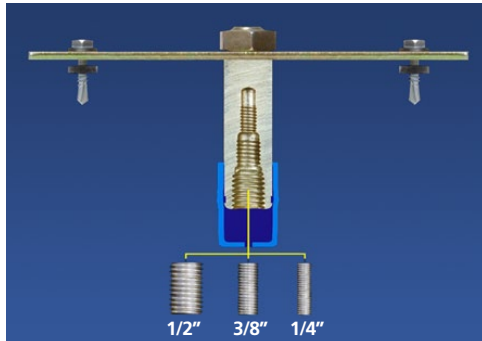
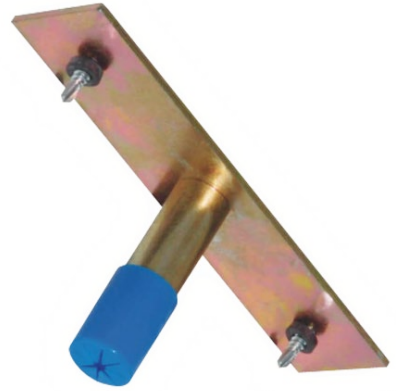
Change Rod Sizes
(ATR can be changed
after installation)

RDI - Roof Deck Insert

For No-Concrete Steel Decks

Roof Deck Insert anchors have a low profile attachment plate that does not protrude into roofing membrane. Fully assembled for field installation including pre-staked deck screws.

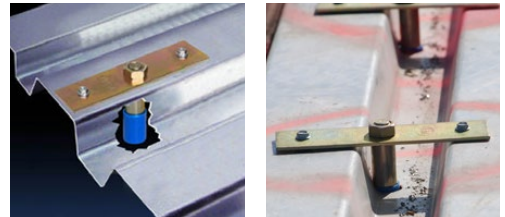
- Low profile attachment plate does not protrude into roofing membrane
- Fully assembled for quick field installation including pre-staked deck screws
- Vertical support loads of 300 lbs in 20 gauge deck
- Designed for installation on top or bottom of deck flute



Supports Multiple Threaded Rod Sizes

Easy Installation

- Drill or punch access hole
- Insert RDI roof deck insert
- Thread pre-staked screws into deck



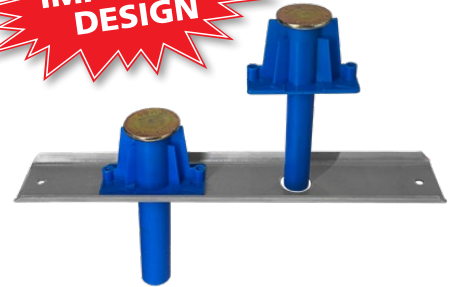
| Part # | Rod Sizes | Description | Hole Dia. | Box Qty. |
|---|------------------|------------------|---------------|----------|
| RDI143812 | 1/4", 3/8", 1/2" | Roof Deck Insert | 13/16" - 7/8" | 50 |
| Add "BAA" to the end of the part number for the Buy American Act compliant insert | | | | |

FSB-X - Flute Span Bracket

NEW One FSB-X Now Fit All Size SDI-2 Blue Banger Hangers®

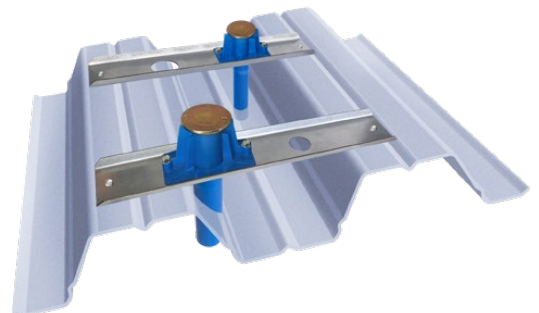
Allows the SDI-2 to be installed on the inside of the flutes!

- Enables the insert to realize the higher capacity that is achieved in the upper flute
- Positions all inserts on the project at the same elevation to eliminate multiple threaded rod lengths
- Improves the accuracy of off site prefabrication
- Fits all size Blue Banger Hanger® brand SDI-2 inserts



Fits All Insert Sizes SDI-2 and PRSDI-2

| Part # | Description | Box Qty. |
|--------|--------------------|----------|
| FSBX | Flute Span Bracket | 25 |





PIP - Poured-In-Place

For Wood Formed Concrete Decks

Pour-in-Place inserts are used on wood form poured decks and installed prior to pouring concrete, reducing installation and material costs.

Multiple Internal Threads

- Allows for threaded rod size changes
- Eliminate the need for, and cost of, couplings

Large Plastic Base with Slurry Seal

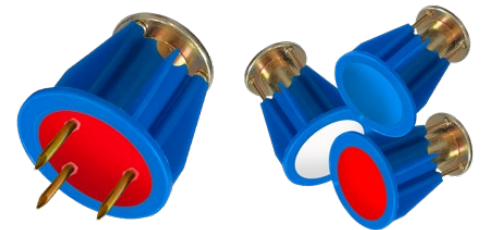
- Angled ridges protect the head of the insert from rebar during deck work
- Larger plastic base ensures that the insert is installed flush to the deck to prevent concrete from contaminating the inner threads during the pour
- Slurry seal safeguards the internal threads during the concrete pour
- Red, white and blue colored slurry seal labels identify the insert when used by multiple trades

Machined Steel Insert with Large Flanged Head and Nails

- Provides excellent shear values for overhead attachments
- Insert installed height of two inches complies with typical design specifications
- Nails easily break off



Supports Multiple Threaded Rod Sizes



Easily Identify Multiple Trades

| Part # | Rod Sizes | Description | Box Qty. |
|----------------|------------------|------------------------|----------|
| PIP143812RED | 1/4", 3/8", 1/2" | Poured-In-Place Insert | 100 |
| PIP143812WHITE | 1/4", 3/8", 1/2" | Poured-In-Place Insert | 100 |
| PIP143812BLUE | 1/4", 3/8", 1/2" | Poured-In-Place Insert | 100 |
| PIP381258RED | 3/8", 1/2", 5/8" | Poured-In-Place Insert | 100 |
| PIP381258WHITE | 3/8", 1/2", 5/8" | Poured-In-Place Insert | 100 |
| PIP381258BLUE | 3/8", 1/2", 5/8" | Poured-In-Place Insert | 100 |
| PIP5834RED | 5/8", 3/4" | Poured-In-Place Insert | 100 |
| PIP5834WHITE | 5/8", 3/4" | Poured-In-Place Insert | 100 |
| PIP5834BLUE | 5/8", 3/4" | Poured-In-Place Insert | 100 |

Add "BAA" to the end of the part number for the Buy American Act compliant insert



55% Larger 2-3/8" Base
Compared to Typical Competitor
Small 1-5/16" - 1-1/2" Base



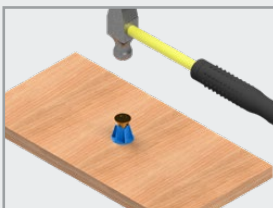
Angled Edges Help
Prevent Damage
Caused by Rebar



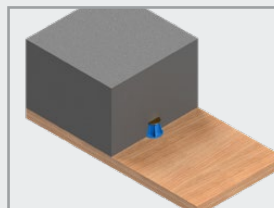
Slurry Seal
Prevents Concrete
Contamination



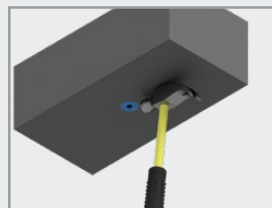
Easy Installation (See Installation Tools - Page 7)



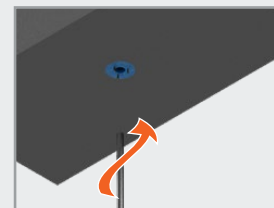
Hammer to Wood Form



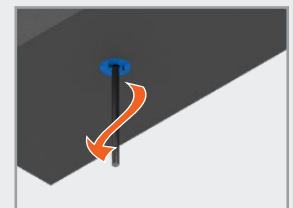
Pour Concrete



Remove Wood Form
and Break Off Nails



Thread Rod



Change Rod Sizes
(ATR can be changed after
installation)

Baby BLUE BANGER HANGER®

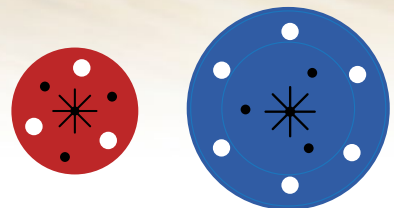
PIPM38 - Poured-In-Place
For Wood Formed Concrete Decks



**WIDE
BASE**

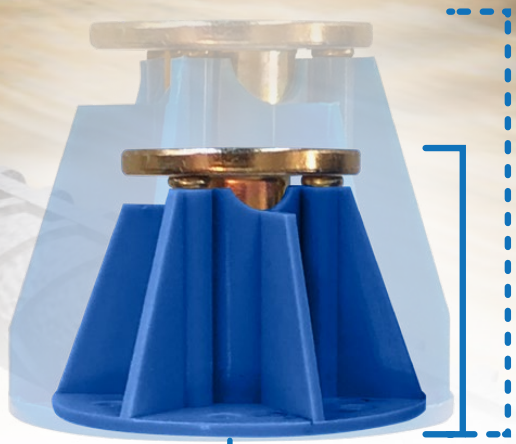
- Virtually Eliminates Failures
- Supports 3/8" Threaded Rod
- Approved for Seismic Applications

It's All About That Base



HILTI®
1-1/4" Base

Baby Blue
2" Base

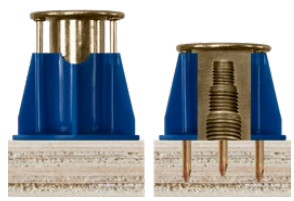


**38%
SMALLER**

- Fits Under Rebar
- Low Profile Prevents Snags
- Wider Base

| Part # | Rod Size | Description | Box Qty. |
|---|----------|------------------------|----------|
| PIPM38 | 3/8" | Poured-In-Place Insert | 200 |
| Add "BAA" to the end of the part number for the Buy American Act compliant insert | | | |

**RECESSED
NAILS**



- Recessed Nails for Safety
- Nails Easily Break Off After Form Removal



PRSDI-2 - Steel Deck Insert

For Pre-Poured Concrete Steel Decks

The new PRSDI-2 is ICC qualified for W3 and B Decks with concrete topping down to 1-1/2" when installed in lower flute and 2-1/2" when installed in the upper flute. The Push Rod® overhead attachment system features a revolutionary patented auto-lock chamber that locks in threaded rod.

Multiple Internal Threads

- No threading - simply push rod (installs fast and secure)
- Fits both 3/8" and 1/2" threaded rod - reduces inventory
- Allows for threaded rod size changes
- Eliminate the need for, and cost of, couplings

Patented Push Rod ATR (Optional)

- Engagement markings confirm full engagement (eliminates guessing)
- Allows for visual inspection to verify rod is installed correctly

Machined Steel Insert with Large Flanged Head

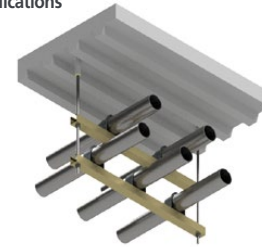
- Provides excellent pullout capacity for overhead attachments
- Qualified for use in W-deck and B-deck
- Improved shallow topping slab requirements (1-1/2" when installed in lower flute, 2-1/2" when installed in upper flute)

Three Inch Plastic Sleeve

- Keeps internal threads clean
- Extended length makes insert easy to locate, even with fireproofing below the deck
- Plastic sleeve provides guidance to align threaded rod with internal autolock chamber



Just Push It!!!
Fits Both 3/8" and 1/2" Threaded Rod



| Part # | Rod Sizes | Description | Hole Dia. | Box Qty. |
|---|------------|----------------------------|-------------------|----------|
| PRSDI3812 | 3/8", 1/2" | Push Rod Steel Deck Insert | 1-1/8" - 1-13/16" | 50 |
| Add "BAA" to the end of the part number for the Buy American Act compliant insert | | | | |

Easy Installation (See Installation Tools - Page 7)



FSB-X - Flute Span Bracket

NEW One FSB-X Now Fit All Size PRSDI-2 Push Rods®

Allows the PRSDI-2 to be installed on the inside of the flutes!

- Enables the insert to realize the higher capacity that is achieved in the upper flute
- Positions all inserts on the project at the same elevation to eliminate multiple threaded rod lengths
- Improves the accuracy of off site prefabrication



| Part # | Description | Box Qty. |
|--------|--------------------|----------|
| FSBX | Flute Span Bracket | 25 |

PRPIP - Poured-In-Place



For Wood Formed Concrete Decks

Pour-in-Place inserts are used on wood form poured decks and installed prior to pouring concrete, reducing installation and material costs. The Push Rod® overhead attachment system features a revolutionary patented auto-lock chamber that locks in threaded rod.

Multiple Internal Threads

- No threading - simply push rod (installs fast and secure)
- Fits both 3/8" and 1/2" threaded rod - reduces inventory
- Allows for threaded rod size changes
- Eliminate the need for, and cost of, couplings

Large Plastic Base with Slurry Seal

- Angled ridges protect the head of the insert from rebar during deck work
- Larger plastic base ensures that the insert is installed flush to the deck to prevent concrete from contaminating the inner threads during the pour
- Slurry seal safeguards the internal threads during the concrete pour
- Red, white and blue colored slurry seal labels identify the insert when used by multiple trades

Machined Steel Insert with Large Flanged Head and Nails

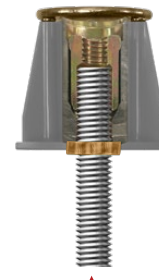
- Provides excellent shear values for overhead attachments
- Insert installed height of two inches complies with typical design specifications
- Nails easily break off



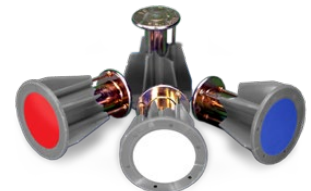
Before Hammer Blow



After Hammer Blow



Just Push It!!!
Fits Both 3/8" and 1/2" Threaded Rod

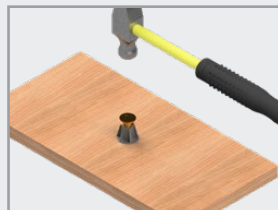


Red, White, and Blue Colored Slurry Seals Identify Trades

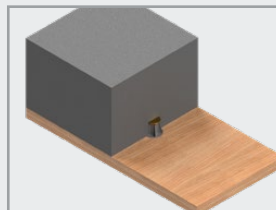
| Part # | Rod Sizes | Description | Box Qty. |
|----------------|------------|------------------------|----------|
| PRPIP3812RED | 3/8", 1/2" | Poured-In-Place Insert | 50 |
| PRPIP3812WHITE | 3/8", 1/2" | Poured-In-Place Insert | 50 |
| PRPIP3812BLUE | 3/8", 1/2" | Poured-In-Place Insert | 50 |

Add "BAA" to the end of the part number for the Buy American Act compliant insert

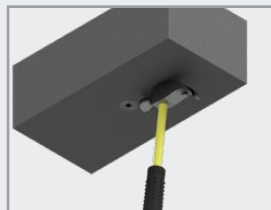
Easy Installation (See Installation Tools - Page 7)



Hammer to Wood Form



Pour Concrete



Remove Wood Form and Break Off Nails



Push Rod
(Shown with optional engagement marking)



Confirm Engagement
(Pull down on rod to confirm engagement)



55% Larger 2-3/8" Base Compared to Typical Competitor Small 1-5/16" - 1-1/2" Base



Angled Edges Help Prevent Damage Caused by Rebar



Slurry Seal Prevents Concrete Contamination

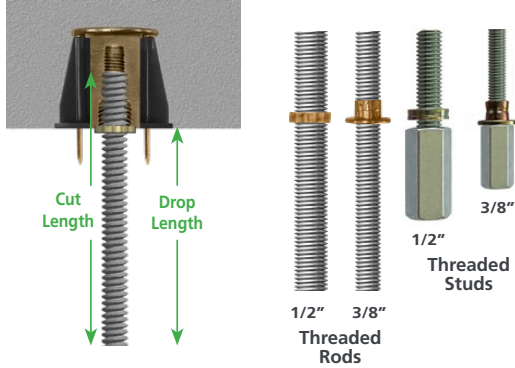


Single Rod Applications

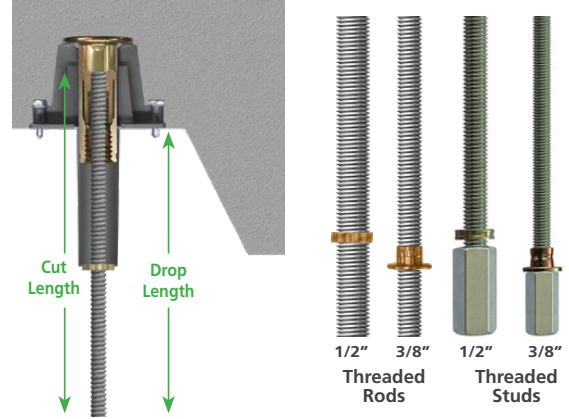


Trapeze Applications

Push Rod® - PRPIP3812
With Factory Crimped Engagement Mark



Push Rod® - PRSDI3812-2
With Factory Crimped Engagement Mark



| 3/8" Threaded Rod with Engagement Markings for PRPIP3812 | | | |
|--|-----------------|--|-----------------|
| QTY | Part Number | Description | |
| | CEA-PRPIPR3824 | PRPIP Threaded Rod - 3/8" x 24" (25-34") | |
| | CEA-PRPIPR3836 | PRPIP Threaded Rod - 3/8" x 36" (37-34") | |
| | CEA-PRPIPR3848 | PRPIP Threaded Rod - 3/8" x 48" (49-34") | |
| | CEA-PRPIPR3860 | PRPIP Threaded Rod - 3/8" x 60" (61-34") | |
| | CEA-PRPIPR3872 | PRPIP Threaded Rod - 3/8" x 72" (73-34") | |
| | CEA-PRPIPR3884 | PRPIP Threaded Rod - 3/8" x 84" (85-34") | |
| | CEA-PRPIPR3896 | PRPIP Threaded Rod - 3/8" x 96" (97-34") | |
| | CEA-PRPIPR38108 | PRPIP Threaded Rod - 3/8" x 108" (109-34") | |
| | CEA-PRPIPR38118 | PRPIP Threaded Rod - 3/8" x 118" (120") | |
| 1/2" Threaded Rod with Engagement Markings for PRPIP3812 | | | |
| QTY | Part Number | Description | |
| | CEA-PRPIPR1224 | PRPIP Threaded Rod - 3/8" x 24" (25-34") | |
| | CEA-PRPIPR1236 | PRPIP Threaded Rod - 3/8" x 36" (37-34") | |
| | CEA-PRPIPR1248 | PRPIP Threaded Rod - 3/8" x 48" (49-34") | |
| | CEA-PRPIPR1260 | PRPIP Threaded Rod - 3/8" x 60" (61-34") | |
| | CEA-PRPIPR1272 | PRPIP Threaded Rod - 3/8" x 72" (73-34") | |
| | CEA-PRPIPR1284 | PRPIP Threaded Rod - 3/8" x 84" (85-34") | |
| | CEA-PRPIPR1296 | PRPIP Threaded Rod - 3/8" x 96" (97-34") | |
| | CEA-PRPIPR12108 | PRPIP Threaded Rod - 3/8" x 108" (109-34") | |
| | CEA-PRPIPR12118 | PRPIP Threaded Rod - 3/8" x 118" (120") | |
| Custom Threaded Rod Lengths | | | |
| QTY | Part Number | Rod Diameter | Length (Inches) |
| | CEA-PRPIPR | | |
| | CEA-PRPIPR | | |
| | CEA-PRPIPR | | |
| Threaded Studs | | | |
| QTY | Part Number | Description | |
| | CEA-PRPIPS3814 | PRPIP Threaded Studs - 3/8" x 1/4" | |
| | CEA-PRPIPS3838 | PRPIP Threaded Studs - 3/8" x 3/8" | |
| | CEA-PRPIPS1212 | PRPIP Threaded Studs - 1/2" x 1/2" | |
| | CEA-PRPIPS1258 | PRPIP Threaded Studs - 1/2" x 5/8" | |

| 3/8" Threaded Rod with Engagement Markings for PRSDI3812-2 | | | |
|--|-------------------|---|-----------------|
| QTY | Part Number | Description | |
| | CEA-PRSDI2-R3824 | PRSDI2 Threaded Rod - 3/8" x 24" (25-34") | |
| | CEA-PRSDI2-R3836 | PRSDI2 Threaded Rod - 3/8" x 36" (37-34") | |
| | CEA-PRSDI2-R3848 | PRSDI2 Threaded Rod - 3/8" x 48" (49-34") | |
| | CEA-PRSDI2-R3860 | PRSDI2 Threaded Rod - 3/8" x 60" (61-34") | |
| | CEA-PRSDI2-R3872 | PRSDI2 Threaded Rod - 3/8" x 72" (73-34") | |
| | CEA-PRSDI2-R3884 | PRSDI2 Threaded Rod - 3/8" x 84" (85-34") | |
| | CEA-PRSDI2-R3896 | PRSDI2 Threaded Rod - 3/8" x 96" (97-34") | |
| | CEA-PRSDI2-R38108 | PRSDI2 Threaded Rod - 3/8" x 108" (109-34") | |
| | CEA-PRSDI2-R38118 | PRSDI2 Threaded Rod - 3/8" x 118" (120") | |
| 1/2" Threaded Rod with Engagement Markings for PRSDI3812-2 | | | |
| QTY | Part Number | Description | |
| | CEA-PRSDI2-R1224 | PRSDI2 Threaded Rod - 3/8" x 24" (25-34") | |
| | CEA-PRSDI2-R1236 | PRSDI2 Threaded Rod - 3/8" x 36" (37-34") | |
| | CEA-PRSDI2-R1248 | PRSDI2 Threaded Rod - 3/8" x 48" (49-34") | |
| | CEA-PRSDI2-R1260 | PRSDI2 Threaded Rod - 3/8" x 60" (61-34") | |
| | CEA-PRSDI2-R1272 | PRSDI2 Threaded Rod - 3/8" x 72" (73-34") | |
| | CEA-PRSDI2-R1284 | PRSDI2 Threaded Rod - 3/8" x 84" (85-34") | |
| | CEA-PRSDI2-R1296 | PRSDI2 Threaded Rod - 3/8" x 96" (97-34") | |
| | CEA-PRSDI2-R12108 | PRSDI2 Threaded Rod - 3/8" x 108" (109-34") | |
| | CEA-PRSDI2-R12118 | PRSDI2 Threaded Rod - 3/8" x 118" (120") | |
| Custom Threaded Rod Lengths | | | |
| QTY | Part Number | Rod Diameter | Length (Inches) |
| | CEA-PRSDI2 | | |
| | CEA-PRSDI2 | | |
| | CEA-PRSDI2 | | |
| Threaded Studs | | | |
| QTY | Part Number | Description | |
| | CEA-PRSDI2-S3814 | PRSDI2 Threaded Studs - 3/8" x 1/4" | |
| | CEA-PRSDI2-S3838 | PRSDI2 Threaded Studs - 3/8" x 3/8" | |
| | CEA-PRSDI2-S1212 | PRSDI2 Threaded Studs - 1/2" x 1/2" | |
| | CEA-PRSDI2-S1258 | PRSDI2 Threaded Studs - 1/2" x 5/8" | |

Order Form

**All orders are custom and cannot be canceled or returned.

| | |
|-------------|---------------------------|
| Contractor: | Project Name and Address: |
| | |
| | |
| PO# | Order Date: |



Revolutionary Push Rod® Overhead Attachment System



**How do you increase field installation efficiency?
Use the Push Rod® Overhead Attachment System!!!**

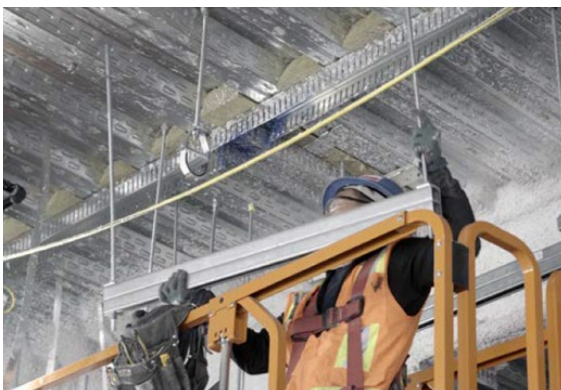


Material Arrives to Jobsite Ready for Installation

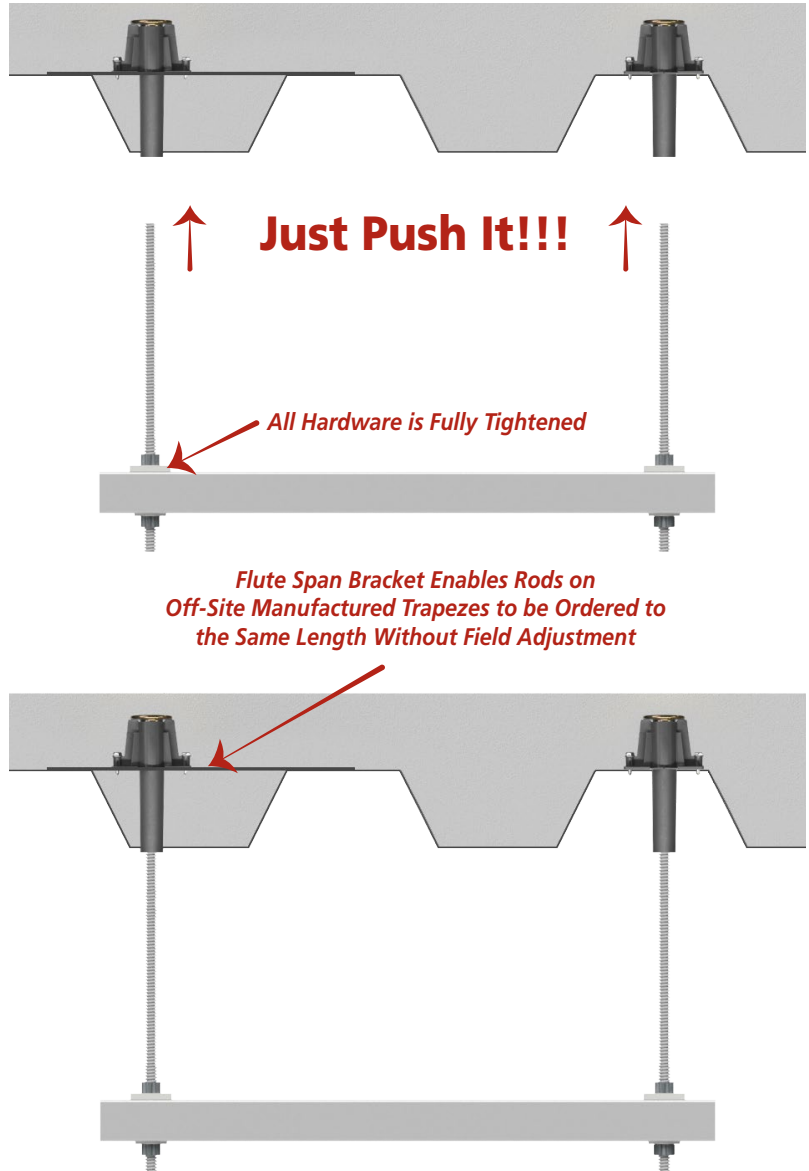
Supports are Designed and Constructed to the Industry's Highest Standards



Trapeze and Assemblies Labeled to Correspond with Location Specific Drawings



Just Push It!!!



When used in combination with ISAT's Blue Banger Hanger® Push Rod® insert, installation is further streamlined by providing fast, safe, and toolless connection to the structure. Blue Banger Hanger® inserts are code approved (ESR-3599) for a wide variety of materials and construction methods, offering a versatile solution that can be seamlessly integrated into virtually any project.

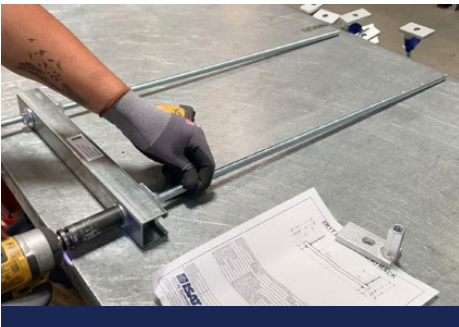
Engineered Factory Supports (EFS)

Every Support Engineered and Built to Address Vertical and Seismic Load Requirements

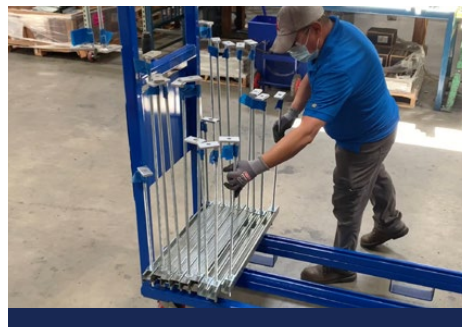
The American Society of Civil Engineers (ASCE) 7 and International Building Code (IBC) outline crucial seismic bracing requirements for mechanical, electrical, and plumbing systems, ensuring the safety and resilience of buildings during seismic events.

Code requires that every element of the supports load path is analyzed and engineered to resist the expected load conditions. This includes the construction of the single hung or trapeze support resisting the gravity (dead) loads, the seismic brace assemblies and rod stiffeners necessary to resist seismic loads, as well as the anchorage for attachment to structure.

As experts in the design and supply of Engineered Factory Supports (EFS), ISAT® Total Support designs each support in compliance with project and code requirements. We leverage cutting-edge technology and industry expertise to deliver MEP support solutions that are efficient, cost-effective, and tailored to our clients specific needs.



Assembly and Labeling



Quality Assurance



On-Site Material Handling

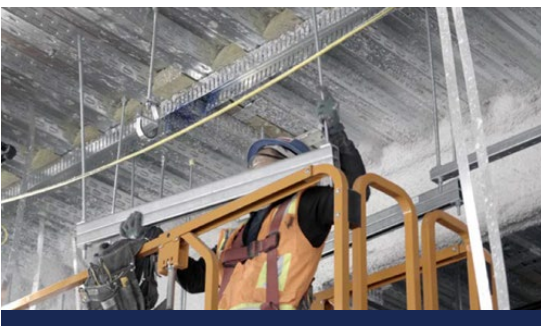


ISAT's Rapid Rack System streamlines the on-site material handling process and greatly reduces the cost and time associated with the supports onto the jobsite and into the right location.



Revit Families Available

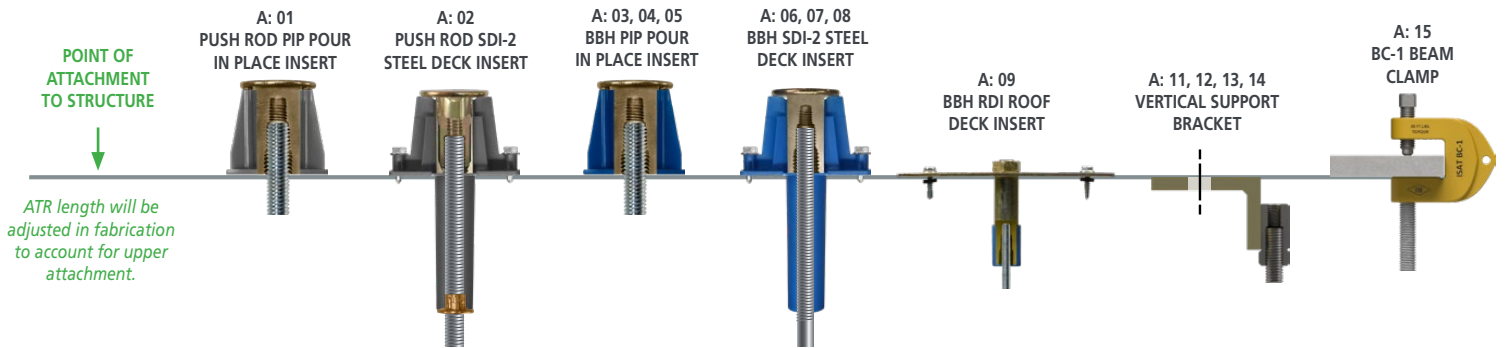
- Revit Families Available (Contact Your ISAT® Rep)
- Families are LOD 400 & Fully Parametric
- Extract Support Information Directly from Revit to Simplify the Ordering Process



EFS Installation

When used in combination with ISAT's Blue Banger Hanger® Push Rod® insert, installation is further streamlined by providing fast, safe, and toolless connection to the structure. Blue Banger Hanger® inserts are code approved (ESR-3599) for a wide variety of materials and construction methods, offering a versatile solution that can be seamlessly integrated into virtually any project.

ISAT® takes the guesswork out of fabricating the supports to the correct length. When using one of ISAT's Structural Attachment solutions the ATR length will be adjusted in fabrication to account for the upper attachment being used.



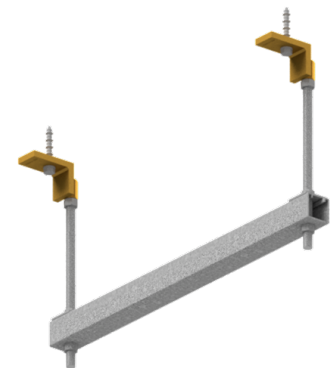
BC-1 Single Sided Beam Clamp For Attachment to Structural Steel Members

The BC-1 Single Sided Beam Clamp is designed to quickly and easily attach EFS support assemblies to structural steel members. Its high strength design quickly and easily installs in all applications.



Fig. VSB - Vertical Support Bracket Post Installed Anchor Solution

The VSB bracket is designed to install supports in existing structures or on new construction when inserts can not be utilized. Its high strength design allows for the fully assembled support to be installed without the need for disassembly.



| Part # | ATR Dia. | Nominal Anchor Dia. |
|--------------|---------------|---------------------|
| VSB3812-1438 | 3/8" and 1/2" | 1/4" & 3/8" |
| VSB3812-1258 | | 1/2" & 5/8" |
| VSB5834-1438 | 5/8" and 3/4" | 1/4" & 3/8" |
| VSB5834-1258 | | 1/2" & 5/8" |

■ Trapeze Supports



Fig. 2R1T
2 Rod - 1 Tier Rack
(Pg. 11)



Fig. 2R2T
2 Rod - 2 Tier Rack
(Pg. 12)



Fig. 2R3T
2 Rod - 3 Tier Rack
(Pg. 13)



Fig. 2R4T
2 Rod - 4 Tier Rack
(Pg. 14)

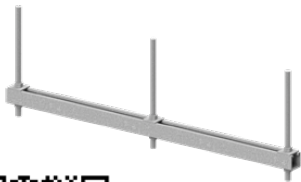


Fig. 3R1T
3 Rod - 1 Tier Rack
(Pg. 15)

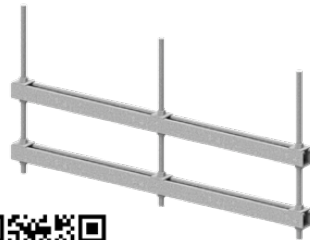


Fig. 3R2T
3 Rod - 2 Tier Rack
(Pg. 16)



Fig. 3R3T
3 Rod - 3 Tier Rack
(Pg. 17)



Fig. 3R4T
3 Rod - 4 Tier Rack
(Pg. 18)

■ Single Hung Supports



Fig. SH-BH
Band Hanger
(Pg. 19)



Fig. SH-CONH
Conduit Hanger
(Pg. 20)



Fig. SH-CLH
Clevis Hanger
(Pg. 21)



Fig. SH-RH
Roller Hanger
(Pg. 22)

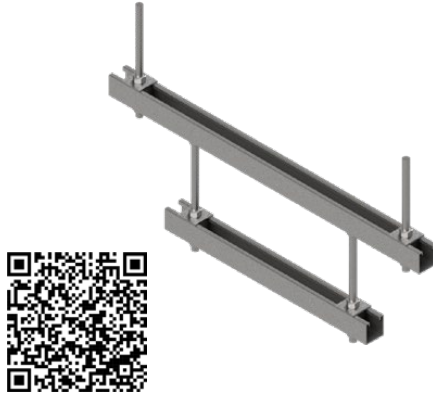


Fig. SH-JH
J-Hanger
(Pg. 23)

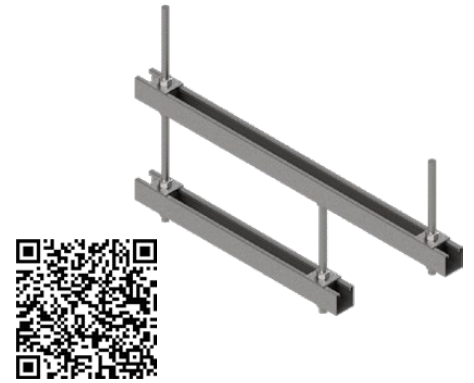
■ **Strut Supports**



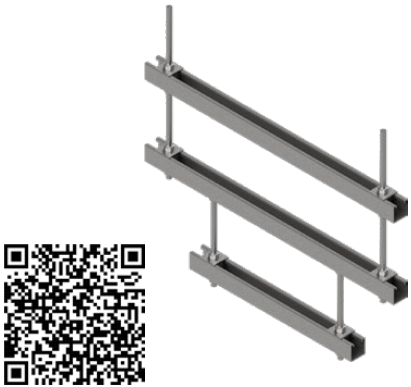
SS-1R1T-C
Strut Support
Trapeze Rack 1 Rod - 1 Tier - C



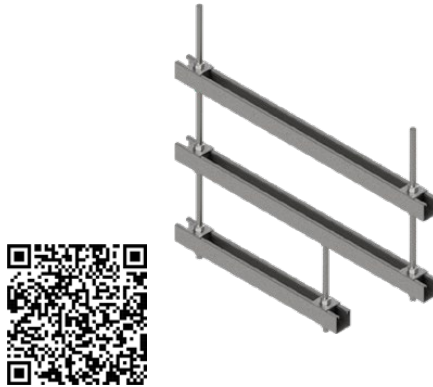
SS-2R2T-1DO
Strut Support Double Offset
Trapeze Rack 2 Rod - 2 Tier - 1 Offset



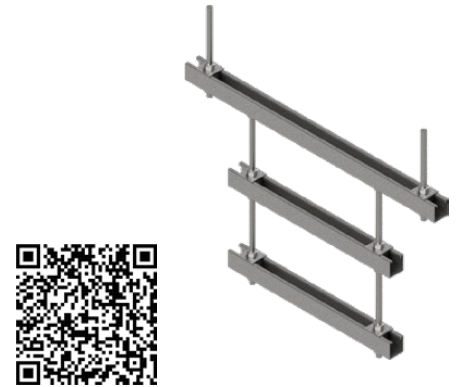
SS-2R2T-1O
Strut Support Offset
Trapeze Rack 2 Rod - 2 Tier - 1 Offset



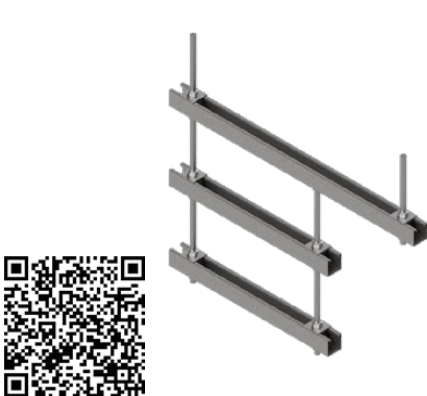
SS-2R3T-1DO
Strut Support Double Offset
Trapeze Rack 2 Rod - 3 Tier - 1 Offset



SS-2R3T-1O
Strut Support Offset
Trapeze Rack 2 Rod - 3 Tier - 1 Offset



SS-2R3T-2DO
Strut Support Double Offset
Trapeze Rack 2 Rod - 3 Tier - 2 Offset



SS-2R3T-2O
Strut Support Offset
Trapeze Rack 2 Rod - 3 Tier - 2 Offset



SS-2R4T-1DO
Strut Support Double Offset
Trapeze Rack 2 Rod - 4 Tier - 1 Offset



Scan for Ordering Information



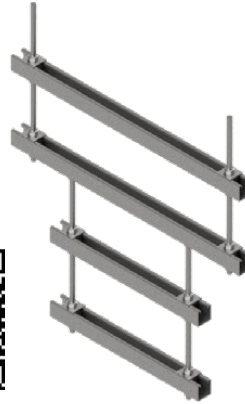
Revit Families Available

- Revit Families Available (Contact Your ISAT Rep)
- Families are LOD 400 & Fully Parametric
- Extract Support Information Directly from Revit to Simplify the Ordering Process

Strut Supports Continued



SS-2R4T-1O
Strut Support Offset
Trapeze Rack 2 Rod - 4 Tier - 1 Offset



SS-2R4T-2DO
Strut Support Double Offset
Trapeze Rack 2 Rod - 4 Tier - 2 Offset



Scan for Ordering Information



Revit Families Available

- Revit Families Available (Contact Your ISAT® Rep)
- Families are LOD 400 & Fully Parametric
- Extract Support Information Directly from Revit to Simplify the Ordering Process



SS-2R4T-2O
Strut Support Offset
Trapeze Rack 2 Rod - 4 Tier - 2 Offset



SS-2R4T-3DO
Strut Support Double Offset
Trapeze Rack 2 Rod - 4 Tier - 3 Offset



SS-2R4T-3O
Strut Support Offset
Trapeze Rack 2 Rod - 4 Tier - 3 Offset

Strut Support Frames



SS-SF-1T
Strut Support Strut
Frame 2 Post - 1 Tier



SS-SF-2T
Strut Support Strut
Frame 2 Post - 2 Tier

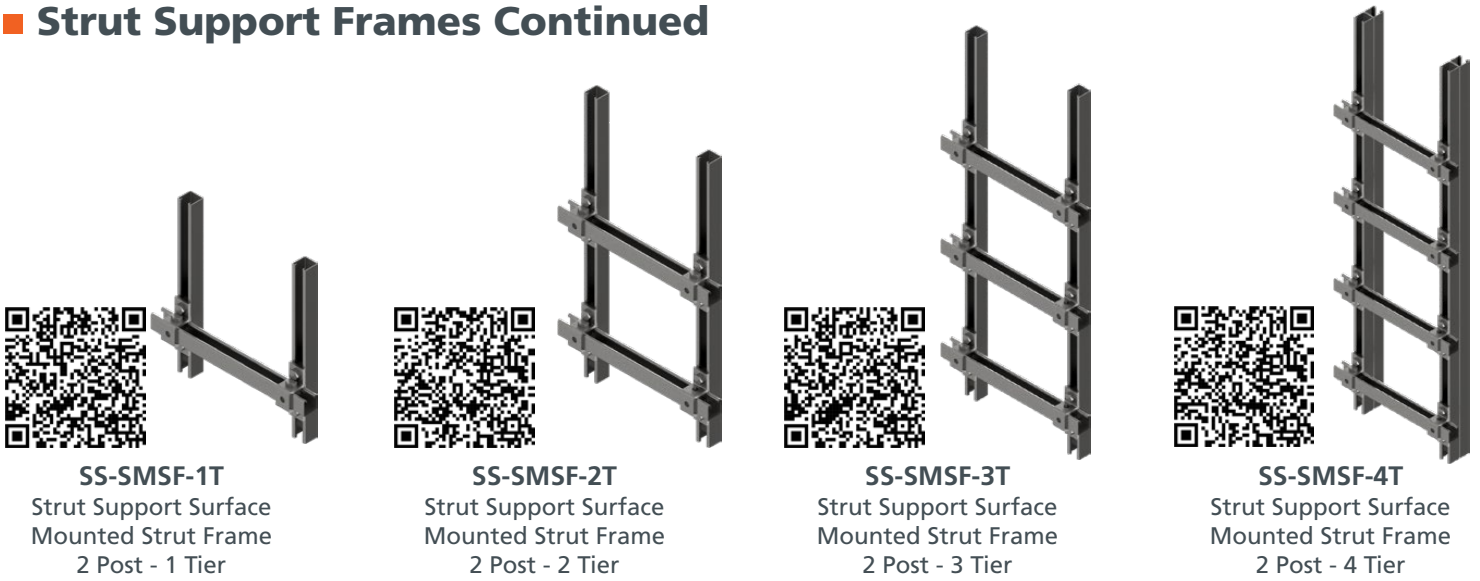


SS-SF-3T
Strut Support Strut
Frame 2-Post-3-Tier



SS-SF-4T
Strut Support Strut
Frame 2-Post-4-Tier

■ Strut Support Frames Continued



SS-SMSF-1T

Strut Support Surface
Mounted Strut Frame
2 Post - 1 Tier

SS-SMSF-2T

Strut Support Surface
Mounted Strut Frame
2 Post - 2 Tier

SS-SMSF-3T

Strut Support Surface
Mounted Strut Frame
2 Post - 3 Tier

SS-SMSF-4T

Strut Support Surface
Mounted Strut Frame
2 Post - 4 Tier

■ Industrial Supports - C-Channel



IS-CCH-2R1T

Industrial Support C-Channel
Trapeze Rack 2 Rod - 1 Tier

IS-CCH-2R2T

Industrial Support C-Channel
Trapeze Rack 2 Rod - 2 Tier

IS-CCH-3R1T

Industrial Support C-Channel
Trapeze Rack 3 Rod - 1 Tier

IS-CCH-3R2T

Industrial Support C-Channel
Trapeze Rack 3 Rod - 2 Tier

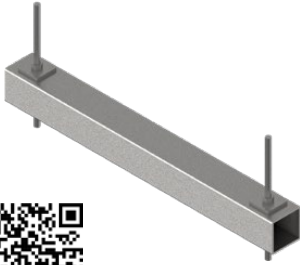
IS-CCH-2R2T-1O

Industrial Support Offset Trapeze
Rack 2 Rod - 2 Tier - 1 Offset

IS-CCH-2R2T-1DO

Industrial Support Double Offset
Trapeze Rack 2 Rod - 2 Tier - 1 Offset

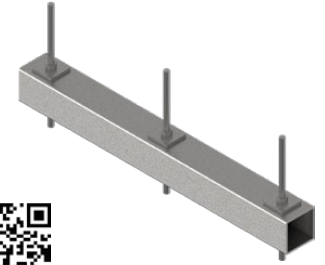
■ Industrial Supports - Hollow Structural Section



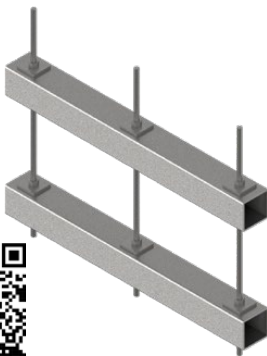
IS-HSS-2R1T
Industrial Support-HSS
Trapeze Rack 2 Rod - 1 Tier



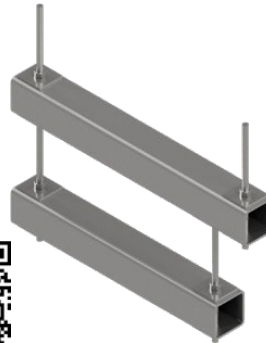
IS-HSS-2R2T
Industrial Support-HSS
Trapeze Rack 2 Rod - 2 Tier



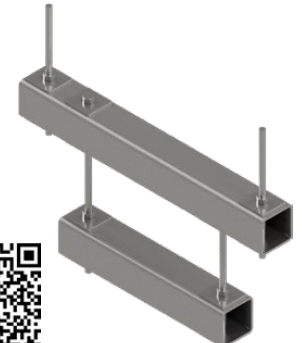
IS-HSS-3R1T
Industrial Support-HSS
Trapeze Rack 3 Rod - 1 Tier



IS-HSS-3R2T
Industrial Support-HSS
Trapeze Rack 3 Rod - 2 Tier



IS-HSS-2R2T-1O
Industrial Support-HSS Offset
Trapeze Rack 2 Rod - 2 Tier - 1 Offset



IS-HSS-2R2T-1DO
Industrial Support-HSS Double Offset
Trapeze Rack 2 Rod - 2 Tier - 1 Offset



Scan for Ordering
Information



Revit Families
Available

- Revit Families Available (Contact Your ISAT® Rep)
- Families are LOD 400 & Fully Parametric
- Extract Support Information Directly from Revit to Simplify the Ordering Process



Installation Tools and Accessories

- Everything you need to make installation easy
- Increases productivity
- Better leverage reduces back and shoulder pain

| Key | Part # | Description |
|---|------------------|---|
| A | CEA-POLMKEY36 | 3'-6" Telescoping Pole with Keyless Chuck |
| B ¹ | CEA-SDDHS1 | 24" Deck Driller with 13/16" Hole Saw |
| C ² | CEA-SDDHS2 | 24" Deck Driller with 1-3/16" Hole Saw |
| D ¹ | CEA-SDDCHS1 | 24" Deck Driller with 13/16" Carbide Tipped Hole Saw |
| E ² | CEA-SDDCHS2 | 24" Deck Driller with 1-3/16" Carbide Tipped Hole Saw |
| F ³ | CEA-SDDSB4 | 24" Deck Driller with 3/16" - 7/8" Step Drill Bit |
| G ² | CEA-SDDSB5 | 24" Deck driller with 1/4" - 1-3/8" Step Drill Bit |
| H ¹ | CEA-BBDPUNI8125 | Universal Deck Punch with 13/16" Tip |
| I ² | CEA-BBDPUNI1.187 | Universal Deck Punch with 1-3/16" Tip |
| J | CEA-BBDPUNIMS114 | Universal Deck Punch with 1-1/4" Metal Strap Tip |
| K ³ | CEA-PIPINSTALL2 | PIP Installation Pole for ALL SIZE PIPs |
| Replacement Parts | | |
| L ¹ | MKM-MHS13 | 13/16" Hole Saw |
| M ² | MKM-MHS19 | 1-3/16" Hole Saw |
| N ¹ | MKM-CTS13 | 13/16" Carbide Tipped Hole Saw |
| O ² | MKM-CTS19 | 1-3/16" Carbide Tipped Hole Saw |
| P ¹ | CEA-SB4 | 3/16" - 7/8" Step Drill Bit |
| Q ² | CEA-SB5 | 1/4" - 1-3/8" Step Drill Bit |
| R ¹ | CEA-DPTQR8125 | 13/16" Universal Deck Punch Tip |
| S ² | CEA-DPTQR1187 | 1-3/16" Universal Deck Punch Tip |
| T | CEA-DPTQRMS114 | 1-1/4" Metal Strap Universal Deck Punch Tip |
| 1 - For use with SDI143812, SDI143812-2, and RDI-143812 | | |
| 2 - For use with SDI381258, SDI381258-2, SDI5834, SDI5834-2, PRSDI3812, and PRSDI3812-2 | | |
| 3 - For use with Baby Blue, PIP143812, PIP38125, PIP5834 & PRPIP3812 | | |

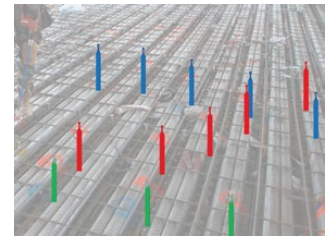


ID Tabs

- Saves time - quick installation
- Eliminates confusion between multiple trades
- Uses a marker or adhere labels
- Provides easy identification from the ground



| Part # | Description |
|---------------|--------------------|
| HEA-PT 38125A | Fluorescent Yellow |
| HEA-PT 38125B | Fluorescent Pink |
| HEA-PT 38125C | Fluorescent Blue |
| HEA-PT 38125D | Fluorescent Purple |
| HEA-PT 38125E | Fluorescent Red |
| HEA-PT 38125F | Fluorescent Orange |
| HEA-PT 38125G | White |
| HEA-PT 38125H | Green (Pms 354) |
| HEA-PT 38125I | Brown (Pms 469) |
| HEA-PT 38125J | Grey (Cool Grey) |
| HEA-PT 38125K | Grey (Cool Grey) |
| HEA-PT 38125L | Fluorescent Green |





Arizona

3545 S 28th Street Building A
Phoenix, AZ 85040
PH: 602-470-0505

California (Fremont)

412 Kato Terrace
Fremont, CA 94539
PH: 510-657-1111

California (Sacramento)

8169 Alpine Ave, Ste D
Sacramento, CA 95826
PH: 916-732-2424

California (San Diego)

6490 Marindustry Dr, Ste C
San Diego, CA 92121
PH: 858-547-0700

Nevada

6355 W Maule Ave, Ste 100
Las Vegas, NV 89118
PH: 702-364-2606

New York

18-28 42nd Street
Astoria, NY 11105
PH: 212-259-0440

North Carolina

1020 Crews Rd, Ste Q & P
Matthews, NC 28105
PH: 704-841-4080

Ohio

100 W Old Wilson Bridge Rd, Ste 201
Columbus, OH 43085
PH: 440-444-3550

Oregon

14325 NE Airport Way, Ste 101
Portland, OR 97230
PH: 503-252-4423

Texas (Austin)

2500 S. Hwy 183, Bldg 4, Ste 400
Austin, TX 78744
PH: 512-910-4500

Texas (Houston)

1718 N Fry Road, Suite #118
Houston, TX 77084
PH: 281-456-3421

Washington

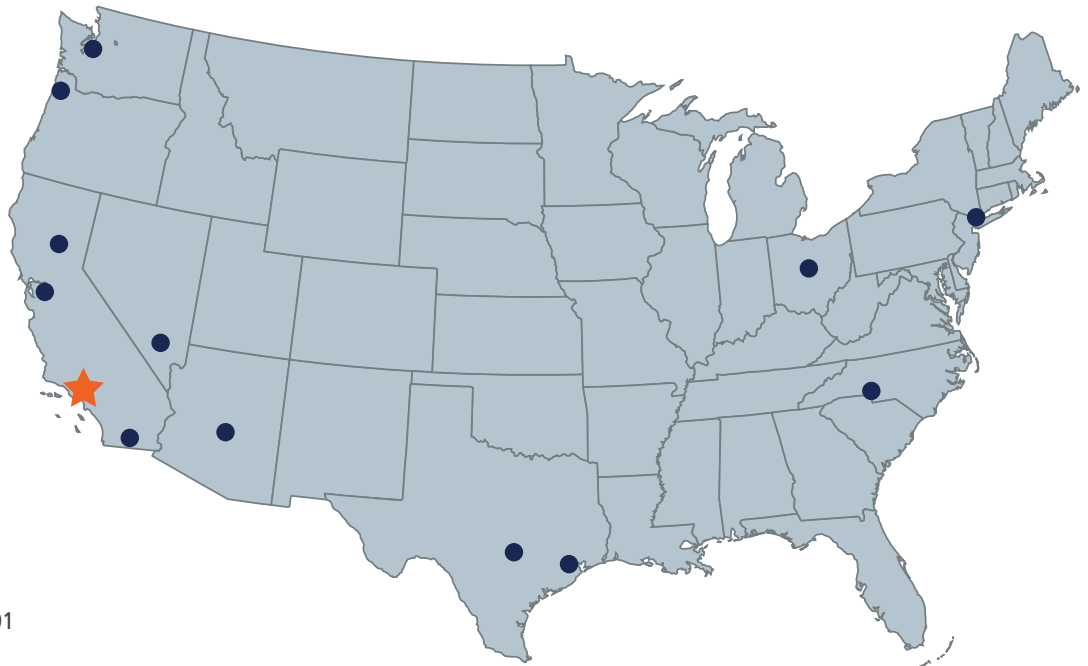
3107 142nd Ave East, Ste 102
Sumner, WA 98390
PH: 253-926-2250



America's #1 Patented Deck Anchor Inserts

Concrete Steel Decks • Wood Formed Concrete Decks • No Concrete Steel Decks

US Pat #'s 7,093,400 B1 - US 9,181,691 B2



CORPORATE HEADQUARTERS

Inside US: 877-999-ISAT (4728)

Outside US: 00-1-714-880-3024

SERVICES@ISATTS.COM | ISATTS.COM

16050 Canary Ave, La Mirada, CA 90638



Serving the Construction Industry Since 1977

©2025 ISAT® - A Division of Tomarco® - All Rights Reserved